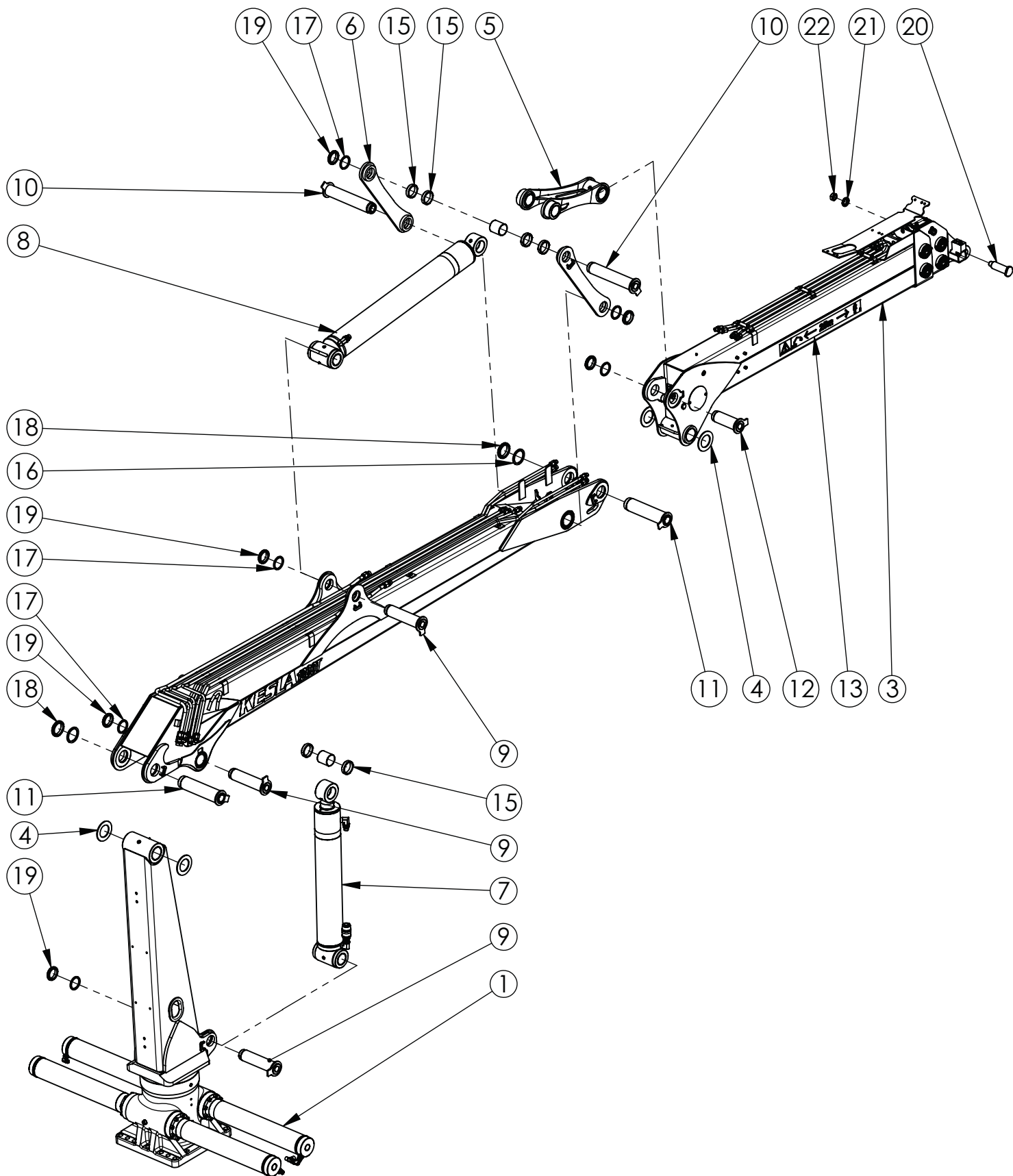


Sisällysluettelo \ Innehållsförteckning \ Contents \ Inhaltsverzeichnis

<i>Pääkokoonpano \ Sammansättning \ Final assembly \ Zusammensetzung</i>	2
<i>Kääntölaite \ Vridanordning \ Slew mechanism \ Schwenkwerk</i>	4
<i>Nostopuomi \ Lyftbom \ Main lifting boom \ Hubarm</i>	6
<i>Nostopuomi (hyttimalli) \ Lyftbom (hytt) \ Main lifting boom (cabin) \ Hubarm (Kabine)</i>	10
<i>Nostopuomi (hyttimalli) \ Lyftbom (hytt) \ Main lifting boom (cabin) \ Hubarm (Kabine)</i>	12
<i>Siirtopuomisto 1200 \ Vipparm 1200 \ Outer boom 1200 \ Knickarm 1200</i>	14
<i>Siirtopuomisto 1200T \ Vipparm 1200T \ Outer boom 1200T \ Knickarm 1200T</i>	17
<i>Siirtopuomiston ketju (4 x 6) \ Kedja (4 x 6) \ Chain (4 x 6) \ Kette kompl. (4 x 6)</i>	26
<i>Siirtopuomiston ketju (6 x 6) \ Kedja (6 x 6) \ Chain (6 x 6) \ Kette kompl. (6 x 6)</i>	27
<i>Vetotangon varustelu \ Dragstång \ Inner link assy \ Mittleres Gelenk</i>	30
<i>Nostosylinteri \ Lyftcylinder \ Main lifting cylinder \ Hubzylinder</i>	32
<i>Nostosylinteri varusteltuna \ Lyftcylinder utrustning \ Accessories for main lifting cylinder \ Ausrüstung für Hubzylinder</i>	34
<i>Siirtosylinteri \ Vippcylinder \ Outer boom cylinder \ Knickarmzylinder</i>	36
<i>Siirtosylinteri varusteltuna \ Vippcylinder utrustning \ Accessories for outer boom cylinder \ Ausrüstung für Knickarmzylinder</i>	38
<i>Jatkeen sylinteri \ Utskjutscylinder \ Extension cylinder \ Ausschubzylinder \ 1200</i>	40
<i>Jatkeen sylinteri \ Utskjutscylinder \ Extension cylinder \ Ausschubzylinder \ 1200T</i>	42
<i>Tukijalkojen levityssylinteri \ Spridningscylinder \ Spreading cylinder \ Ausschubzylinder für Stützfüsse</i>	44
<i>Painesuodatin \ Tryckfilter \ Pressure filter \ Druckfilter</i>	46
<i>Riipuke varusteltuna \ Rotatorlänk \ Rotator link \ Rotatorgelenk</i>	49

90000332

NOSTURI





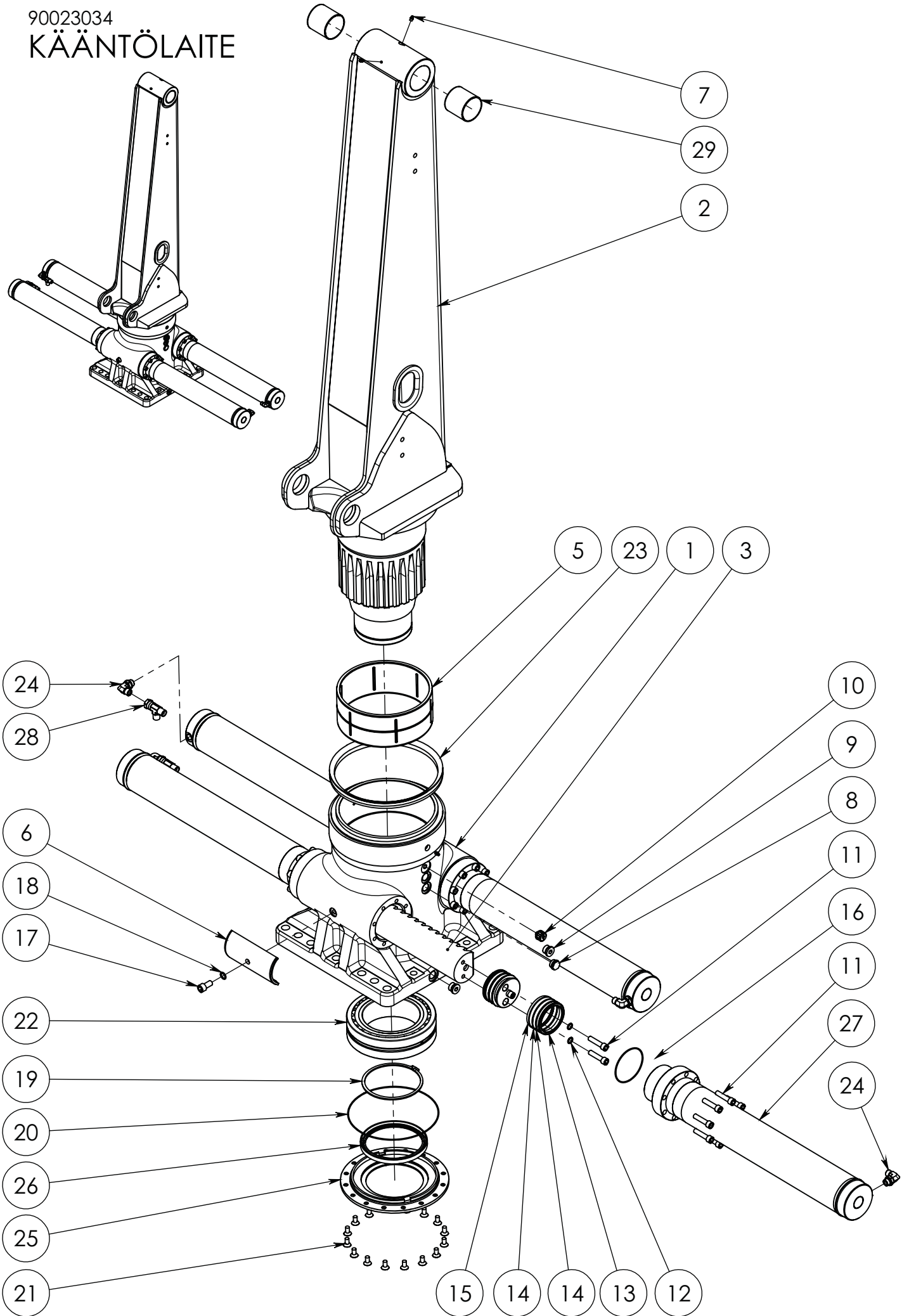
SPARE PART LIST

Item code	90000332	Revision	-
Title	CRANE	Date	26.05.2009
Specification	1200T		

Pos	Item code	Title	Specification	Pc	Nto Weight
1	90023034	SLEW MECHANNISM		1	826.72
2	90017525	LIFT BOOM	HYTTIVARUSTELU	1	384.11
3	90017521	OUTER BOOM	L=5750	1	335.01
4	90016039	LINK		1	21.59
4	90010011	BEARING	130/80.5 - 5	8	0.05
5	90016040	LINK	HITS+KON	2	10.23
5	90016039	LINK		1	21.61
6	90017523	CYLINDER	NOSTOSYLINTERI VAR	1	6.41
6	90016040	LINK	HITS+KON	2	10.23
7	90017523	CYLINDER	NOSTOSYLINTERI VAR	1	72.93
7	90017522	CYLINDER	SIIRTOSYLINTERI VARUSTELU	1	6.72
8	90015226	AXLE	80/M75-338 HITS	2	9.09
8	90017522	CYLINDER	SIIRTOSYLINTERI VARUSTELU	1	82.84
9	90015998	AXLE	70/M65X2-298 HITS	3	6.75
9	90016003	AXLE	70/M65X2-388 HITS	2	8.75
10	90016003	AXLE	70/M65X2-388 HITS	2	8.75
10	90015998	AXLE	70/M65X2-298 HITS	3	6.75
11	90016005	AXLE	70/M65X2-216	1	4.93
11	90015226	AXLE	80/M75-338 HITS	2	9.09
12	90013105	AXLE	45-164	1	1.94
12	90016005	AXLE	70/M65X2-216	1	4.93
13	90013697	WASHER	100/81-6	4	0.13
13	3281135	DECAL	VAARA-ALUE 25 M, 730X80	4	0.1
14	3281464	DECAL (PRODUCT)	KESLA 1200T	4	0.07
14	90016000	WASHER	85/71-6	12	0.08
15	90016045	SLEEVE	85/71-18	6	0.24
16	90013106	WASHER	56/31-8	1	0.09
18	3020158	NUT	KM15 NYLOC M75X2	4	0.35
19	3020157	NUT	KM13 NYLOC M65X2.0	12	0.26
20	90013105	AXLE	45-164	1	1.94
20	3020144	NUT	M30X1.5 ZN NYLOC	2	0.01
21	90013106	WASHER	56/31-8	1	0.08
21	3280201	PLATE	JOENSUU	1	

90023034

KÄÄNTÖLAITE



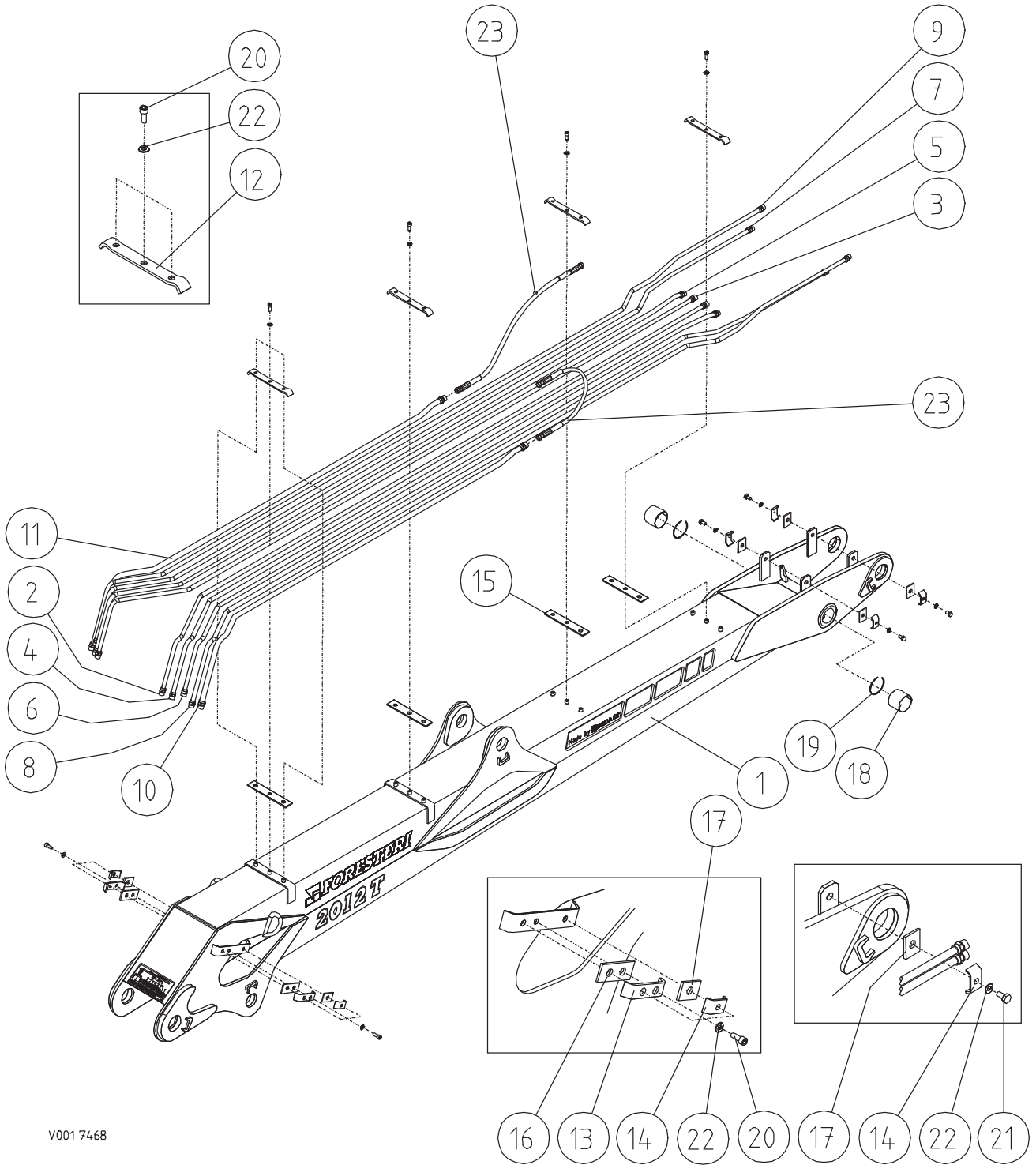


SPARE PART LIST

Item code	90023034	Revision	-
Title	SLEW MECHANISM	Date	03.03.2009
Specification			

Pos	Item code	Title	Specification	Pc	Nto Weight
1	90022233	FRAME	KONEISTUS	1	221.49
2	90023036	PILLAR		1	352.28
3	90023053	RACK BAR		2	53.7
4	90020632	PISTON		4	3.65
5	90020726	BEARING	300/280-120	1	1.23
6	90018641	BEARING	122.6/105-209	2	0.24
7	3050003	GREASE NIPPLE	M8X1,25 DIN 71412	4	0
8	3090294	INDICATOR		1	0.01
9	3090209	PLUG		2	0.08
10	3091042	BREATHER		1	0.11
11	3010601	SCREW	M14X60 12.9 DIN 912	40	0
12	3110652	SEAL	M14 14.7X21.0X1.5	8	0
13	3110194	SEAL	T18 110/90X12.2	4	0.24
14	3110566	GUIDANCE	E/PWR 110/104X13	8	0.1
15	3110567	SEAL	PPW 110/101.4X5.3	4	0.07
16	3110400	SEAL	114.5X3.0 90 SHORE	4	0.02
17	3010700	SCREW	M16X30 8.8 ZN DIN 912	2	0
18	3110040	SEAL	R-06 R 3/8"	2	0
19	3060097	SNAPRING	180X4 DIN 471	1	0
20	3110785	SEAL	280X3.0 70 SHORE	1	0.05
21	3010315	SCREW	M12X25 10.9 ZN DIN 7991	16	0
22	3100345	BEARING	23036 CC/W33	1	13
23	3110784	SEAL	VA0325	1	0.24
24	3090428	CONNECTOR	26-04500-08	4	0.17
25	90023047	FLANGE		1	5.17
26	3110870	SEAL	180/210 X 15 DIN 3760 AS	1	0.59
27	90023057	CYLINDER		4	6.77
28	3091107	CONNECTOR (T)	04880-08	2	
29	3100187	BEARING	WB 802 8080	2	0.41
100	3130489S	HOSE	5251-08/HI-98C-08/5201-08/L=2200	2	

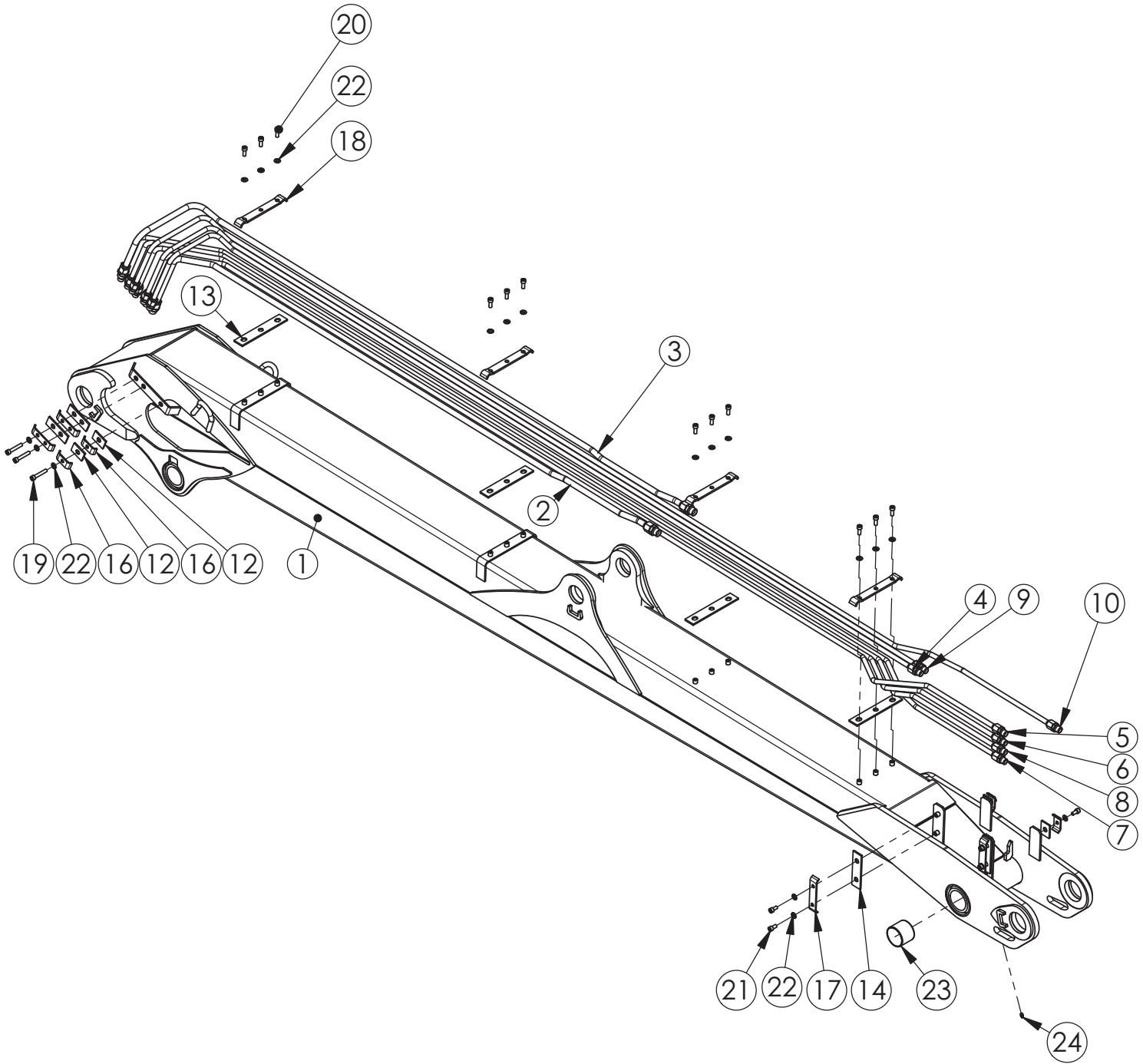
KESLA 1200, 1200T Nostopuomi \ Lyftbom \ Main lifting boom \ Hubarm



KESLA 1200, 1200T Nostopuomi \ Lyftbom \ Main lifting boom \ Hubarm

Pos. Pos. Item. Pos.	Varaosanumero Reservdelsnr. Spare part# Teil-Nr	Nimike \ Beteckning \ Description \ Bezeichnung	Kpl St. Pcs St
1-23	90017468	Nostopuomi varusteltuna \ Lyftbom kompl. \ Main lifting boom, assy \ Hubarm kompl.	1
1	90017462	Nostopuomi kok. \ Lyftbom \ Main lifting boom \ Hubarm	1
2	90017917	HD- putki 1 o (Jatkeen sylinteri) \ Hydraulrör 1 h \ Pipe 1 r \ Hydraulikrohr 1 r	1
3	90017918	HD- putki 1 vasen (Jatkeen sylinteri) \ Hydraulrör 1 v \ Pipe 1 l \ Hydraulikrohr 1 l	1
4	90017919	HD- putki 2 oikea (sähkö) \ Hydraulrör 2 h \ Pipe 2 r \ Hydraulikrohr 2 r	1
5	90017920	HD- putki 2 vasen (kuormavaaka, lis.var)) \ Hydraulrör 2 v \ Pipe 2 l \ Hydraulikrohr 2 l	1
6	90017925	HD- putki 3 oikea (Kahmari) \ Hydraulrör 3 h \ Pipe 3 r \ Hydraulikrohr 3 r	1
7	90017926	HD- putki 3 vasen (Kahmari) \ Hydraulrör 3 v \ Pipe 3 l \ Hydraulikrohr 3 l	1
8	90017927	HD- putki 4 oikea (Kahmari) \ Hydraulrör 4 h \ Pipe 4 r \ Hydraulikrohr 4 r	1
9	90017928	HD- putki 4 vasen (Kahmari) \ Hydraulrör 4 v \ Pipe 4 l \ Hydraulikrohr 4 l	1
10	90017969	HD- putki 5 oikea (Siirtosylinteri) \ Hydraulrör 5 h \ Pipe 5 r \ Hydraulikrohr 5 r	1
11	90017970	HD- putki 5 vasen (Siirtosylinteri) \ Hydraulrör 5 v \ Pipe 5 l \ Hydraulikrohr 5 l	1
12	90015473	Putken kiinnike \ Rölfäste \ Pipe clamp \ Rohrklammer \ 30 x 236	4
13	90013168	Putken kiinnike \ Rölfäste \ Pipe clamp \ Rohrklammer \ 30 x 116	2
14	90010442	Putken kiinnike \ Rölfäste \ Pipe clamp \ Rohrklammer \ 30 x 76	6
15	90013489	Kumilevy \ Gummiplät \ Rubber plate \ Gummiplatte \ 5x40x220	4
16	90013174	Kumilevy \ Gummiplät \ Rubber plate \ Gummiplatte \ 5x40x100	2
17	90010443	Kumilevy \ Gummiplät \ Rubber plate \ Gummiplatte \ 5x40x55	6
18	3100317	Liukulaakeri \ Bussning \ Bushing \ Lagerbuchse \ WB 802-T Ø 75/70 x 60	2
19	3060079	Lukitusrengas \ Låsring \ Circlip \ Sprengring \ SB 76 Ø 76 x 2	2
20	3010685	Kuusiokoloruuvi \ Insexskruv \ Allen screw \ Innensechskantschraube \ M10 x 25 DIN 912 8.8 Zn	18
21	3010062	Kuusioruuvi \ Sexkantskruv \ Hex. screw \ Sechskantschraube \ M10 x 20 DIN 933 8.8 Zn	4
22	3030003	Aluslevy \ Bricka \ Washer \ Unterlagscheibe \ M10 DIN 126 Zn	22
23	3131277	HD- letku \ Slang \ Hose \ Schlauch \ 5701-12/Hi 3SPG-12/5701-12, L=720	2

90025529





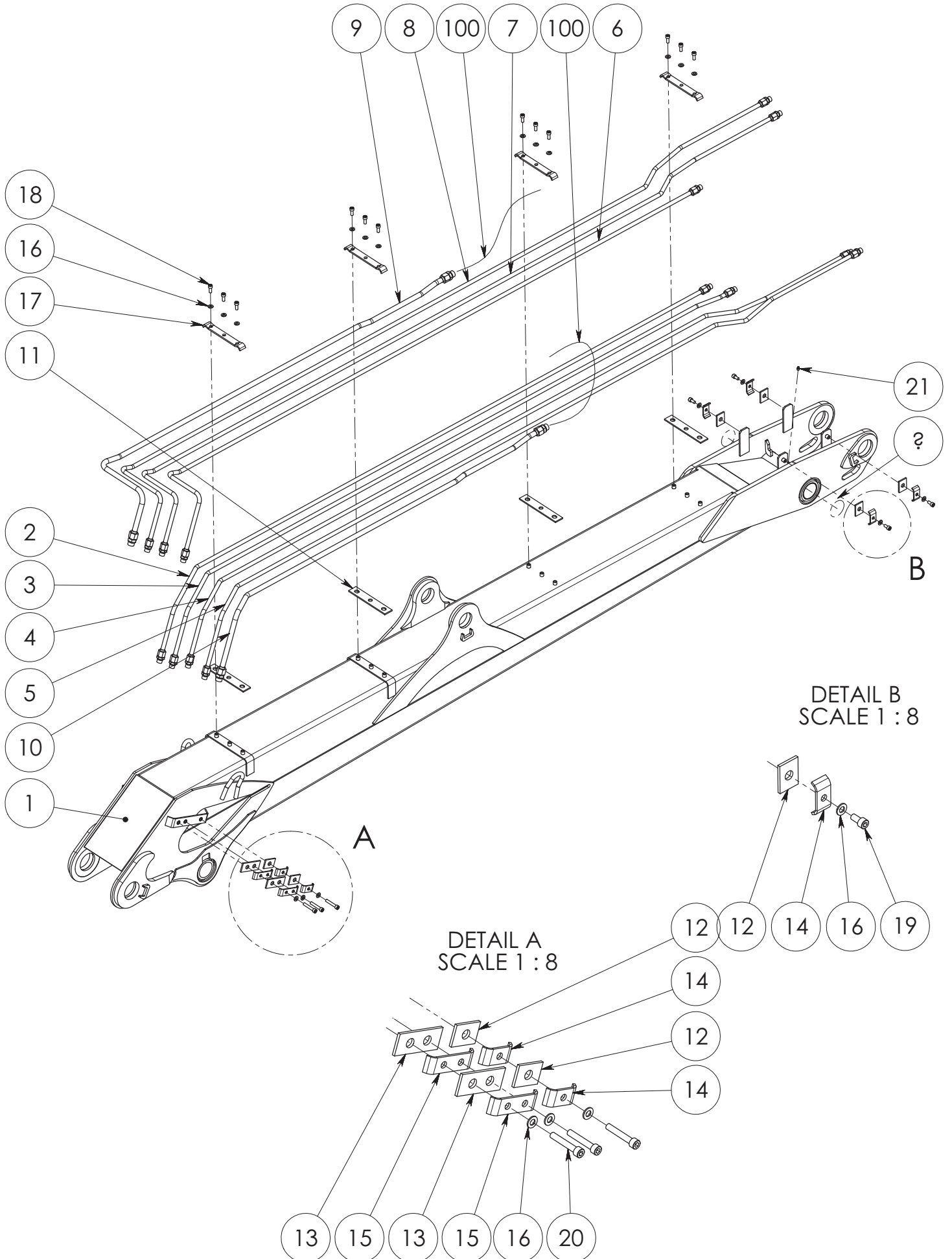
SPARE PART LIST

Item code	90025529	Revision	-
Title	LIFT BOOM	Date	07.06.2012
Specification	L=4550		

Pos	Item code	Title	Specification	Pc	Nfo Weight
1	90025528	LIFT BOOM	KONEISTUS	1	392.23
2	90019706	HYDRAULIC PIPE	5 RIGHT	1	3.6
3	90023141	HYDRAULIC PIPE	5 VASENKOK	1	3.55
4	90025556	HYDRAULIC PIPE		1	3.01
5	90025533	HYDRAULIC PIPE		1	3.34
6	90025534	HYDRAULIC PIPE		1	3.37
7	90025535	HYDRAULIC PIPE		1	3.41
8	90025538	HYDRAULIC PIPE		1	3.39
9	90025543	HYDRAULIC PIPE		1	3.04
10	90025546	HYDRAULIC PIPE		1	3.48
11	90013174	RUBBER		2	0.02
12	90010443	RUBBER	5X55-40	4	0.01
13	90013489	RUBBER	5X40X220	4	0.06
14	90010444	RUBBER	5X40-145	2	0.04
15	90013168	FASTENER	4X30-112	2	0.1
16	90010442	FASTENER	LT4X30-72	4	0.07
17	90012248	FASTENER	4X30-152	2	0.14
18	90015473	FASTENER		4	0.32
19	3010138	ALLEN SCREW	M10X60 8.8 ZN DIN 912	3	0
20	3010685	ALLEN SCREW	M10X25 8.8 ZN DIN 912	13	0
21	3010192	ALLEN SCREW	M10X20 8.8 ZN DIN 912	6	0
22	3030003	WASHER	M10/11 ZN DIN 126	22	0
23	3100185	BUSHING	WB 802 7060	2	0.27
24	3050003	GREASE NIPPLE	M8X1,25 DIN 71412	1	0

90017525

NOSTOPUOMI

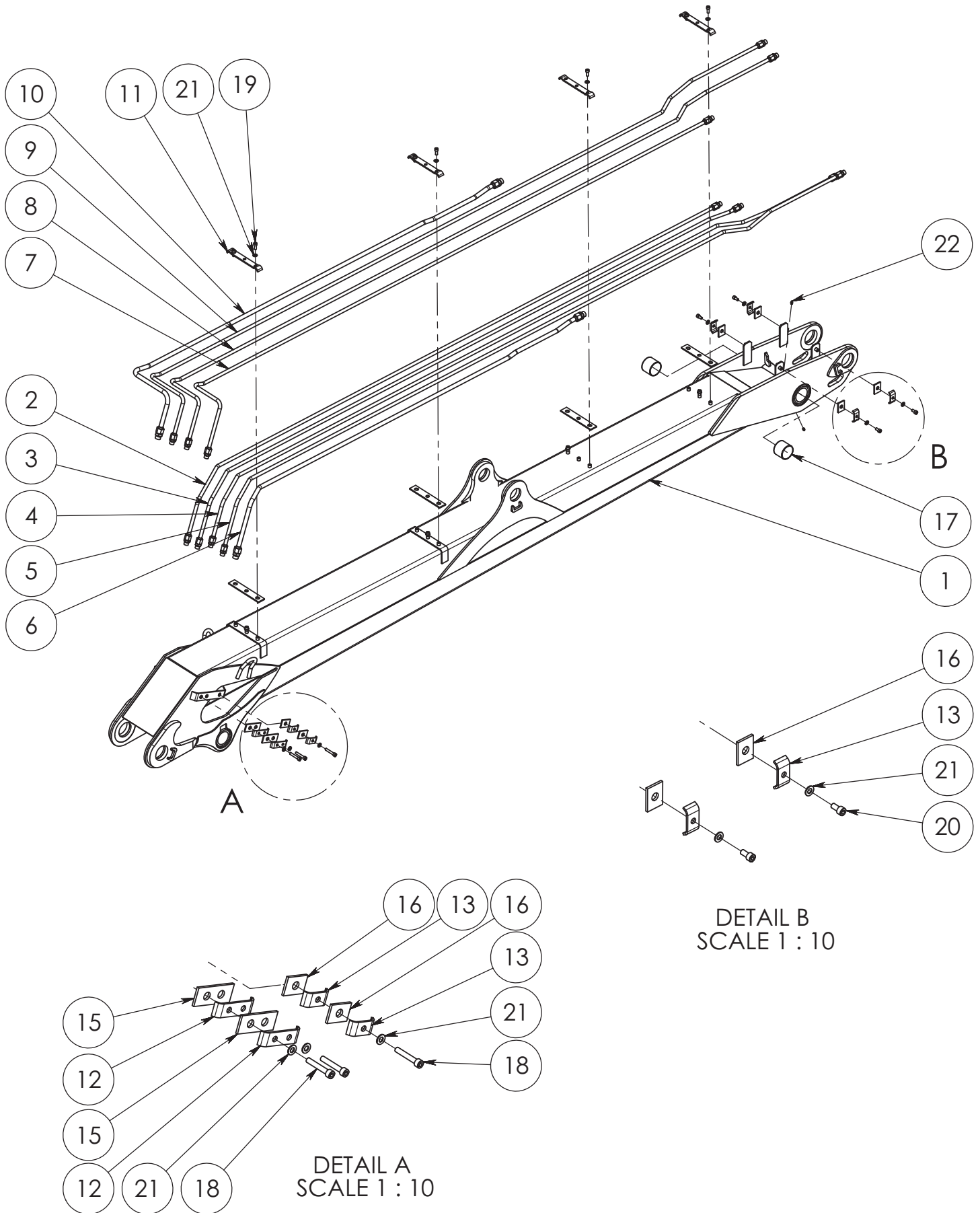


Item code	90017525	Revision	-
Title	LIFT BOOM	Date	17.06.2009
Specification	L=4050 CAB		

Pos	Item code	Title	Specification	Pc	Nto Weight
1	90017462	LIFT BOOM	L=4050	1	0.29
2	90017917	HYDRAULIC PIPE		1	0.01
3	90017919	HYDRAULIC PIPE		1	0
4	90017925	HYDRAULIC PIPE	3 OIKEA	1	0.01
5	90017927	HYDRAULIC PIPE	4 OIKEA KOK	1	355.12
6	90018364	HYDRAULIC PIPE		1	2.93
7	90018366	HYDRAULIC PIPE	8 KOK	1	2.96
8	90018367	HYDRAULIC PIPE		1	3.29
9	90018368	HYDRAULIC PIPE	10 KOK	1	3.29
10	90017969	HYDRAULIC PIPE	5 OIKEA KOK	1	2.96
11	90013489	RUBBER		4	3.42
12	90010443	RUBBER		6	0.01
13	90013174	RUBBER		2	0.02
14	90010442	FASTENER	LT4X30-72	6	0.07
15	90013168	FASTENER	4X30-112	2	0.1
16	3030003	WASHER	M10/11 ZN DIN 126	19	0.01
17	90015473	FASTENER		4	0.32
18	3010685	SCREW	M10X25 8.8 ZN DIN 912	12	0.01
19	3010192	SCREW	M10X20 8.8 ZN DIN 912	4	0.01
20	3010138	SCREW	M10X60 8.8 ZN DIN 912	3	0
21	3020004	NUT	M10 ZN DIN 985	3	0.04
22	3050003	GREASE NIPPLE	M8X1,25 DIN 71412	2	0
23	3100317	BEARING	WB 802-T 7060	2	0
100	3131277	HOSE	57L01-12/HI 33-12/57L01-12/L=720	2	

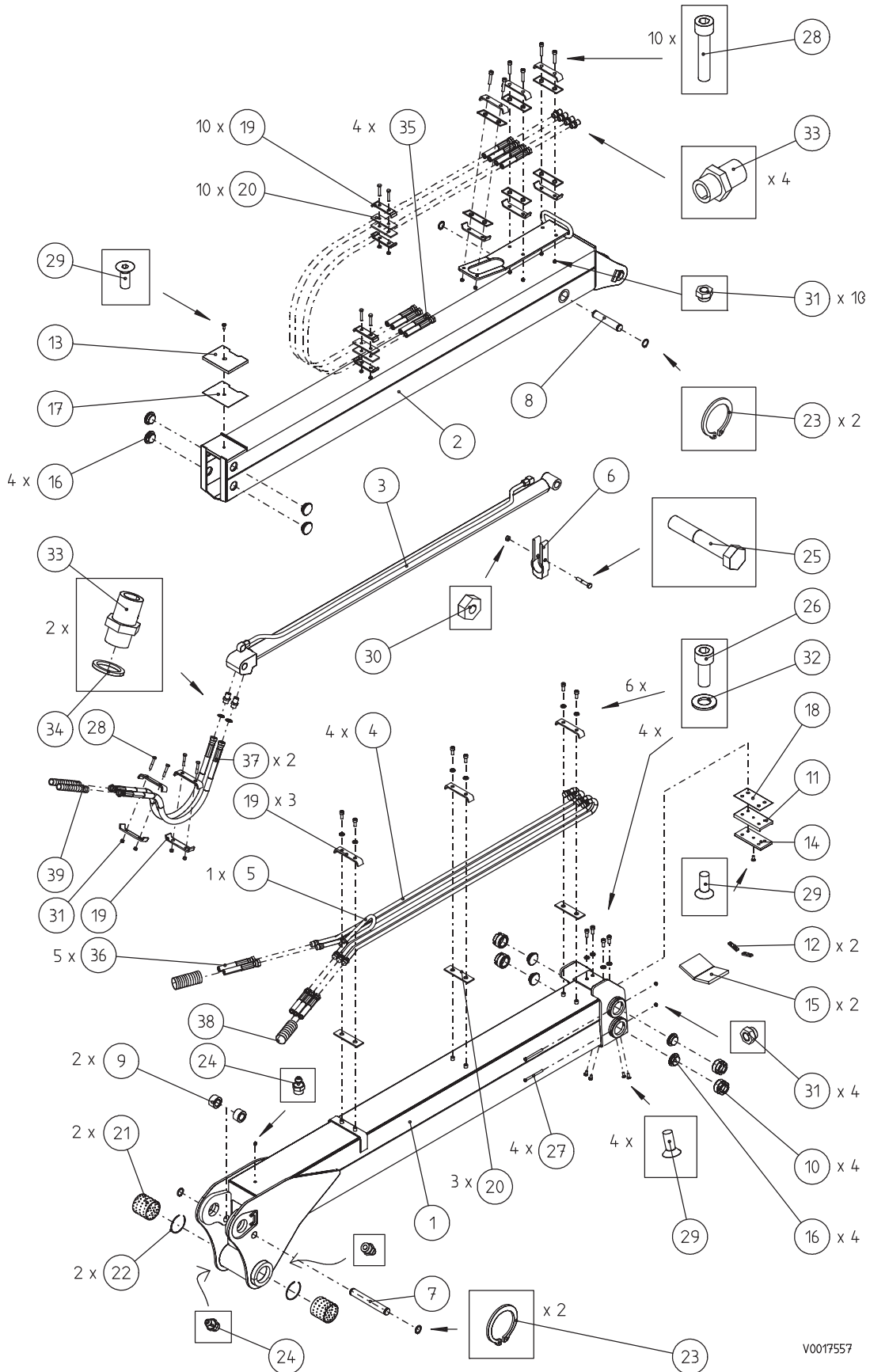
90023120

NOSTOPUOMI



Item code	90023120	Revision	-
Title	LIFT BOOM	Date	23.04.2009
Specification	L=4550 CAB		

Pos	Item code	Title	Specification	Pc	Nto Weight
1	90019711	LIFT BOOM	L=4550	1	391.89
2	90019698	HYDRAULIC PIPE	16-3820 RIGHT	1	3.28
3	90019700	HYDRAULIC PIPE	RIGHT	1	3.28
4	90019702	HYDRAULIC PIPE	3 RIGHT	1	3.62
5	90019704	HYDRAULIC PIPE	4 RIGHT	1	3.64
6	90019706	HYDRAULIC PIPE	5 RIGHT	1	3.6
7	90023162	HYDRAULIC PIPE	1 VASEN KOK	1	3.29
8	90023135	HYDRAULIC PIPE	2 VASEN KOK	1	3.74
9	90023138	HYDRAULIC PIPE	3 VASEN KOK	1	3.79
10	90023141	HYDRAULIC PIPE	5 VASENKOK	1	3.95
11	90015473	FASTENER		4	0.32
12	90013168	FASTENER	4X30-112	2	0.1
13	90010442	FASTENER	LT4X30-72	6	0.07
14	90013489	RUBBER	5X40X220	4	0.06
15	90013174	RUBBER		2	0.02
16	90010443	RUBBER	5X55-40	6	0.01
17	3100185	BUSHING	WB 802 7060	2	0.27
18	3010138	ALLEN SCREW	M10X60 8.8 ZN DIN 912	3	0
19	3010685	ALLEN SCREW	M10X25 8.8 ZN DIN 912	11	0
20	3010192	ALLEN SCREW	M10X20 8.8 ZN DIN 912	4	0
21	3030003	WASHER	M10/11 ZN DIN 126	18	0
22	3050003	GREASE NIPPLE	M8X1,25 DIN 71412	2	0
100	3131277	HYDRAULIC HOSE	57L01-12/HI 33-12/57L01-12/L=720	2	0



1200 Siirtopuomisto \ Vipparm \ Outer boom \ Knickarm

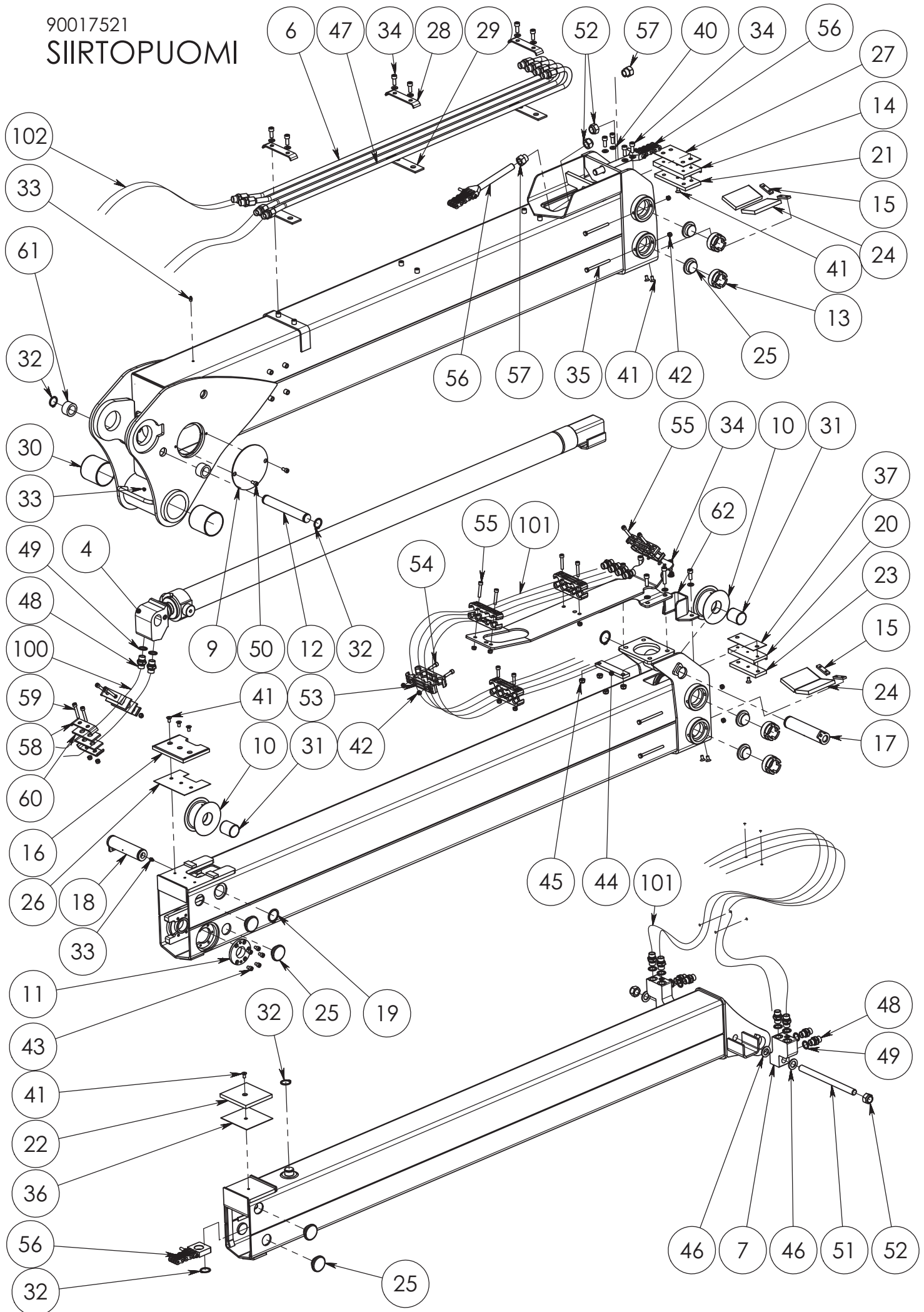
Pos. Pos. Item. Pos.	Varaosanumero Reservdelsnr. Spare part# Teil-Nr	Nimike \ Beteckning \ Description \ Bezeichnung	Kpl St. Pcs St
1-40	90019727	1200 Siirtopuomi varusteltuna \ Vipparm kompl. \ Outer boom, assy \ Knickarm kompl.	1
1	90019721	Siirtopuomi \ Vipparm \ Outer boom \ Knickarm	1
2	90019724	Jatkopuomi \ Utskjut \ Boom extension \ Ausschub	1
3	28586001	Jatkeen sylinteri \ Utskjute cylinder \ Extension cylinder \ Ausschubzylinder \ Ø 50/30 x 1600	1
4	90019691	HD-Putki o/v \ Hydraulrör h/v \ Pipe r/l \ Hydraulikrohr r/l	2+2
5	90019692	HD-Putki \ Hydraulrör \ Pipe \ Hydraulikrohr	1
6	3060071	Lukitusrengas \ Låsring \ Snap ring \ Sprengring	2
7	90017084	Akseli \ Axel \ Pin \ Zapfen \ 30 - 215	1
8	90014885	Akseli \ Axel \ Pin \ Zapfen \ 30 - 154	1
9	90011271	Holkki \ Hylsa \ Sleeve \ Achshalter \ 50/32-28	2
10	90016090	Liukupalan kiinnike \ Glidklackfäste \ Glide pad clamp \ Gleitlagerbefestigung \ Ø 63/36 - 37	4
11	90014762	Liukupalan kiinnitin \ Glidklackfäste \ Glide pad clamp \ Gleitlagerbefestigung \ 15 x 80 - 155	1
12	90010345	Lukkopala \ Lås \ Lock plate \ Deckel \ 6 x 15 x 52	2
13	90014887	Liukupala \ Glidklack \ Glide pad \ Gleitlager \ 12 x 120 x 155	1
14	90014766	Liukupala \ Glidklack \ Glide pad \ Gleitlager \ 12 x 70 x 155	1
15	90012374	Liukupala \ Glidklack \ Glide pad \ Gleitlager \ 12 x 70 x 120	2
16	90011001	Liukupala \ Glidklack \ Glide pad \ Gleitlager \ 55/21	8
	90010744	Liukupala \ Glidklack \ Glide pad \ Gleitlager \ 55/20	
17	90017085	Säätölevy \ Justeringsplatta \ Shim \ Verstellungsscheibe \ (1 x 119 x 155)	
18	90015124	Säätölevy 1 \ Justeringsplatta 1 \ Shim 1 \ Verstellungsscheibe 1 \ (1 x 80 x 155)	
	90015125	Säätölevy 2 \ Justeringsplatta 2 \ Shim 2 \ Verstellungsscheibe 2 \ (2 x 80 x 155)	
19	90012248	Putken / letkun kiinnike \ Rör / Slangfäste \ Pipe / Hose clamp \ Rohr / Schlauchklammer \ (Ø16 x 6 kpl\st.\pcs\St.)	17
20	90010444	Kumilevy \ Gummiplåt \ Rubber plate \ Gummiplatte \ 5 x 40 x 145	17
21	3100187	Liukulaakeri \ Bussning \ Bushing \ Lagerbuchse \ WB 802-T Ø 85/80 x 80	2

1200 Siirtopuomisto \ Vipparm \ Outer boom \ Knickarm

Pos. Pos. Item. Pos.	Varaosanumero Reservdelsnr. Spare part# Teil-Nr	Nimike \ Beteckning \ Description \ Bezeichnung	Kpl St. Pcs St
22	90017083	Nurjahdustuki 35 x 72 x 193 \ Utskjutcyindre stöd \ Extension cylinder support \ Zylinderstütze	1
23	3060092	Pidätinrengas akselille \ Låsring \ Circlip \ Sprengring \ Ø 30 x 2 DIN 471	4
24	3050003	Rasvanippa, suora \ rak \ straight \ gerade \ Smörjnippel \ Grease nipple \ Schmiernippel \ M8, Zn,	3
25	3010152	Kuusioruuvi \ Sexkantskruv \ Hex. screw \ Sechskantschraube \ M12 x 70 8.8 Zn DIN 931	1
26	3010685	Kuusiokoloruuvi \ Insexskruv \ Allen screw \ Innensechskantschraube \ M10 x 25 8.8 Zn DIN 912	10
27	3010447	Kuusioruuvi \ Sexkantskruv \ Hex. screw \ Sechskantschraube \ M8 x 100 8.8 Zn DIN 931	4
28	3010072	Kuusioruuvi \ Sexkantskruv \ Hex. screw \ Sechskantschraube \ M8 x 50 8.8 Zn DIN 931	14
29	3010190	Kuusiokoloruuvi \ Insexskruv \ Allen screw \ Innensechskantschraube \ M8 x 16 10.9 Zn DIN 7991	6
30	3020005	Kuusiomutteri \ Sexkantmutter \ Hex. nut \ Sechskantmutter \ M12 Zn DIN 985	1
31	3020001	Kuusiomutteri \ Sexkantmutter \ Hex. nut \ Sechskantmutter \ M8 Zn DIN 985	18
32	3030003	Aluslevy \ Bricka \ Washer \ Unterlagscheibe \ M10 Zn DIN 126	10
33	3090019	Kaksoisnippa \ Dubbelnippel \ Double nipple \ Doppelnippel \ R1/2" 04000-08	6
34	3110042	Usit tiiviste R - 08 \ Usit- tätning R - 08 \ Bonded seal Usit R - 08 \ Dichtung Usit R - 08 \ (R1/2") 28.6/21.5 x 2.5	2
35	3130473	HD- letku \ Slang \ Hose \ Schlauch \ 5701-08/HI 98C-08/5701-08 L=1900	4
36	3130478	HD- letku \ Slang \ Hose \ Schlauch \ 5701-08/HI 98C-08/5701-08 L=1650	1
37	3130456	HD- letku \ Slang \ Hose \ Schlauch \ 5701-08/HI 98C-08/5701-08 L=1050	4
38	3130737	HD- letku \ Slang \ Hose \ Schlauch \ 5701-08/HI98C-08/5701-08 L=900	2
39	3130734	Suojaspiraali \ Slang skydd \ Hose cover \ Schutzschlauch \ Ø 50 x 4.5 - 900	2
40	3130979	Suojaspiraali \ Slang skydd \ Hose cover \ Schutzschlauch \ Ø 32 x 3-600	2

90017521

SIIRTOPUOMI



Item code	90017521	Revision	A
Title	OUTER BOOM	Date	08.06.2009
Specification	L=5750		

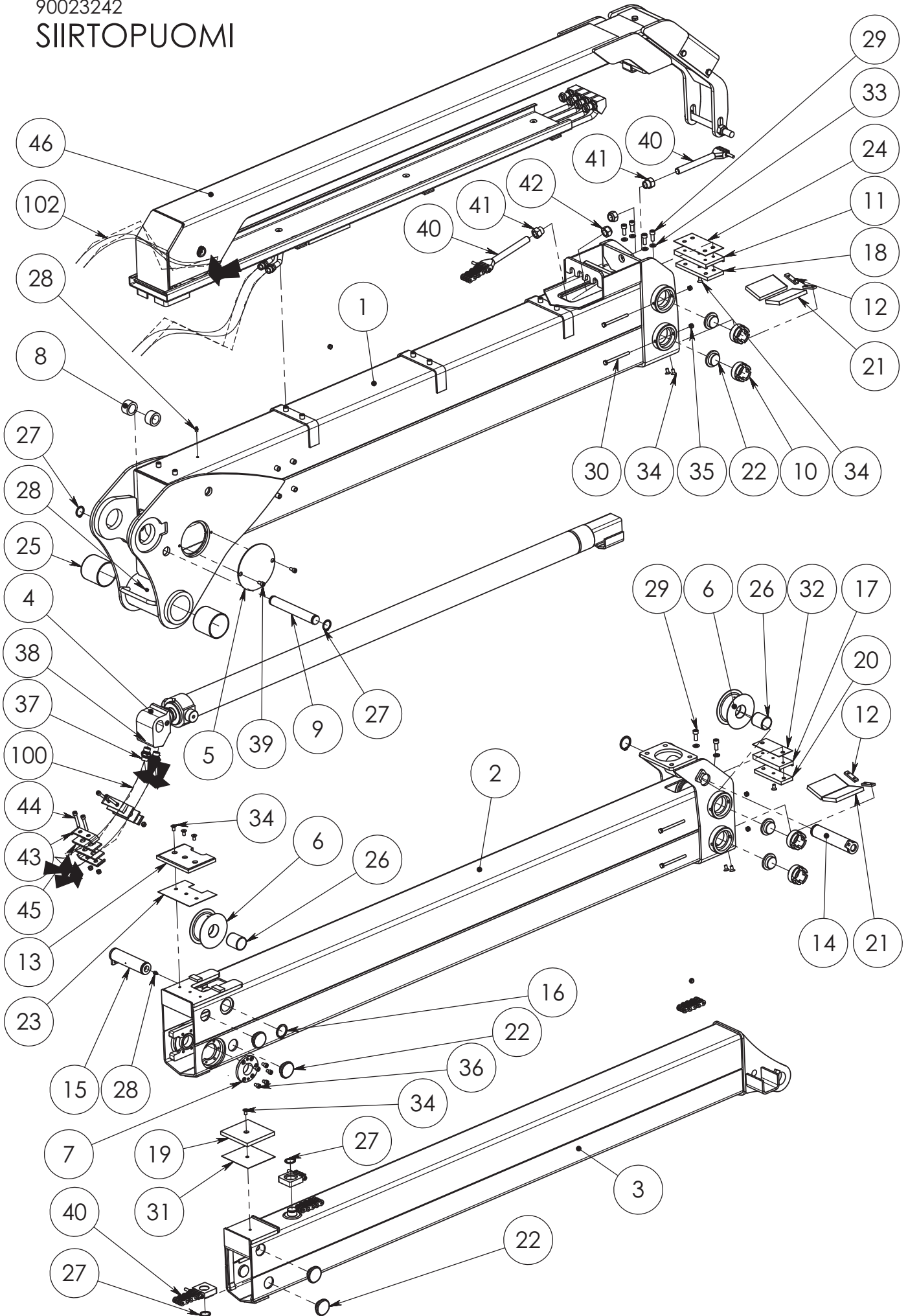
Pos	Item code	Title	Specification	Pc	Nto Weight
1	90017469	OUTER BOOM	L=2215	1	141.46
2	90017513	EXTENSION 1	L=2365	1	93.15
3	90017516	EXTENSION 2	L=2322	1	65.35
4	28581001	CYLINDER	70/40X1600	1	43.54
5	90021904	GUIDANCE	HITS	1	6
6	90017965	PIPE	LEFT	2	1.4
7	90010864	CONNECTOR	RIGHT	1	1.92
8	90010865	CONNECTOR	LEFT	1	1.92
9	90012063	FLANGE		2	0.47
10	90015410	WHEEL	D=90	2	2.15
11	90010741	FLANGE		2	0.42
12	90017084	AXLE	30-214	1	1.18
13	90016090	FASTENER		8	0.35
14	90014762	FASTENER		1	1.01
15	90010345	HOLDER		4	0.03
16	90014887	GLIDE PAD	120X155	1	0.24
17	90021933	AXLE	40-184 HITS	1	1.79
18	90021930	AXLE	40-156 HITS	1	1.52
19	3060100	SNAP RING	AS 40X2.5 ZN DIN 471	2	0
20	90014763	FASTENER		1	0.65
21	90014766	GLIDE PAD	12x70x155	1	0.12
22	90014767	GLIDE PAD	12X120X130	1	0.21
23	90014770	GLIDE PAD	50X130	1	0.07
24	90012374	GLIDE PAD	70X 120	4	0.1
25	90011001	GLIDE PAD	D=55-19/7	16	0.03
26	90017085	PLATE	119X155	1	0.13
27	90015124	PLATE	80 X 155	1	0.09
28	90012248	FASTENER	4X30-152	3	0.14
29	90010444	RUBBER	5X40-145	3	0.04
30	3100187	BUSHING	WB 802 8080	2	0.41
31	3100188	BUSHING	WB 802 4050	2	0.1
32	3060092	SNAP RING	AS 30X2 ZN DIN 471	4	0
33	3050003	GREASE NIPPLE	M8X1,25 DIN 71412	5	0
34	3010685	ALLEN SCREW	M10X25 8.8 ZN DIN 912	12	0
35	3010447	HEW SCREW	M8X100 8.8 ZN DIN 931	8	0
36	90017020	WASHER	1X119X130	1	0.12

Item code	90017521	Revision	A
Title	OUTER BOOM	Date	08.06.2009
Specification	L=5750		

Pos	Item code	Title	Specification	Pc	Nto Weight
37	90015142	PLATE	60 X 130	1	0.06
38	3010248	ALLEN SCREW	M10X30 8.8 ZN DIN 912	2	0
39	3010137	ALLEN SCREW	M10X50 8.8 ZN DIN 912	2	0
40	3030065	WASHER	M10 ZN DIN 125	16	0
41	3010190	ALLEN SCREW	M8X16 10.9 DIN 7991	14	0
42	3020001	NUT	M8 ZN DIN 985	26	0.01
43	3010598	ALLEN SCREW	M8X12 12.9 DIN 912	10	0
44	90020291	GUIDANCE		1	0.31
45	3020004	NUT	M10 ZN DIN 985	4	0.01
46	3030009	WASHER	M20/21 ZN DIN 126	4	0.02
47	90017964	HYDRAULIC PIPE	RIGHT	2	4.04
48	3090019	CONNECTOR (STRAIGHT)	04000-08 R1/2"	14	0.1
49	3110042	USIT-SEAL	R-08 R 1/2"	10	0.01
50	3010292	ALLEN SCREW	M8X16 8.8 ZN DIN 912	4	0
51	90010866	PIN BOLT	20-273	1	0.67
52	3020009	NUT	M20 ZN DIN 985	4	0.07
53	3301209	FASTENER	140X30X30 MUOVI	14	0.26
54	3010252	ALLEN SCREW	M8X30 8.8 ZN DIN 912	8	0
55	3010701	ALLEN SCREW	M8X45 8.8 ZN DIN 912	6	0
56	90016092	CHAIN	6X6	2	1.35
57	90017520	NUT	M20-30	2	0.09
58	90013168	FASTENER	4X30-112	4	0.1
59	3010050	ALLEN SCREW	M8X50 8.8 ZN DIN 912	4	0
60	90013174	RUBBER		4	0.02
61	90021928	SLEEVE	45/31-26	2	0.02
62	90026424	GUIDANCE		1	0.63
100	3130737	HYDRAULIC HOSE	5201-08/HI-98C-08/5201-08/L=900	2	0.74
101	3131152	HYDRAULIC HOSE	5701-08/HI-98C-08/5701-08/L=2150	8	
102	3130456	HYDRAULIC HOSE	5201-08/HI-98C-08/5201-08/L=1050	4	0.84
103	3132549	HOSE PROTECTIVE SPIRAL	BLACK D=50	1	
104	3130979	HOSE PROTECTIVE SPIRAL	D=32	1	0.18

90023242

SIIRTOPUOMI



Item code	90023242	Revision	-
Title	OUTER BOOM	Date	18.06.2009
Specification	L=5750 RULLAOHJAIN		

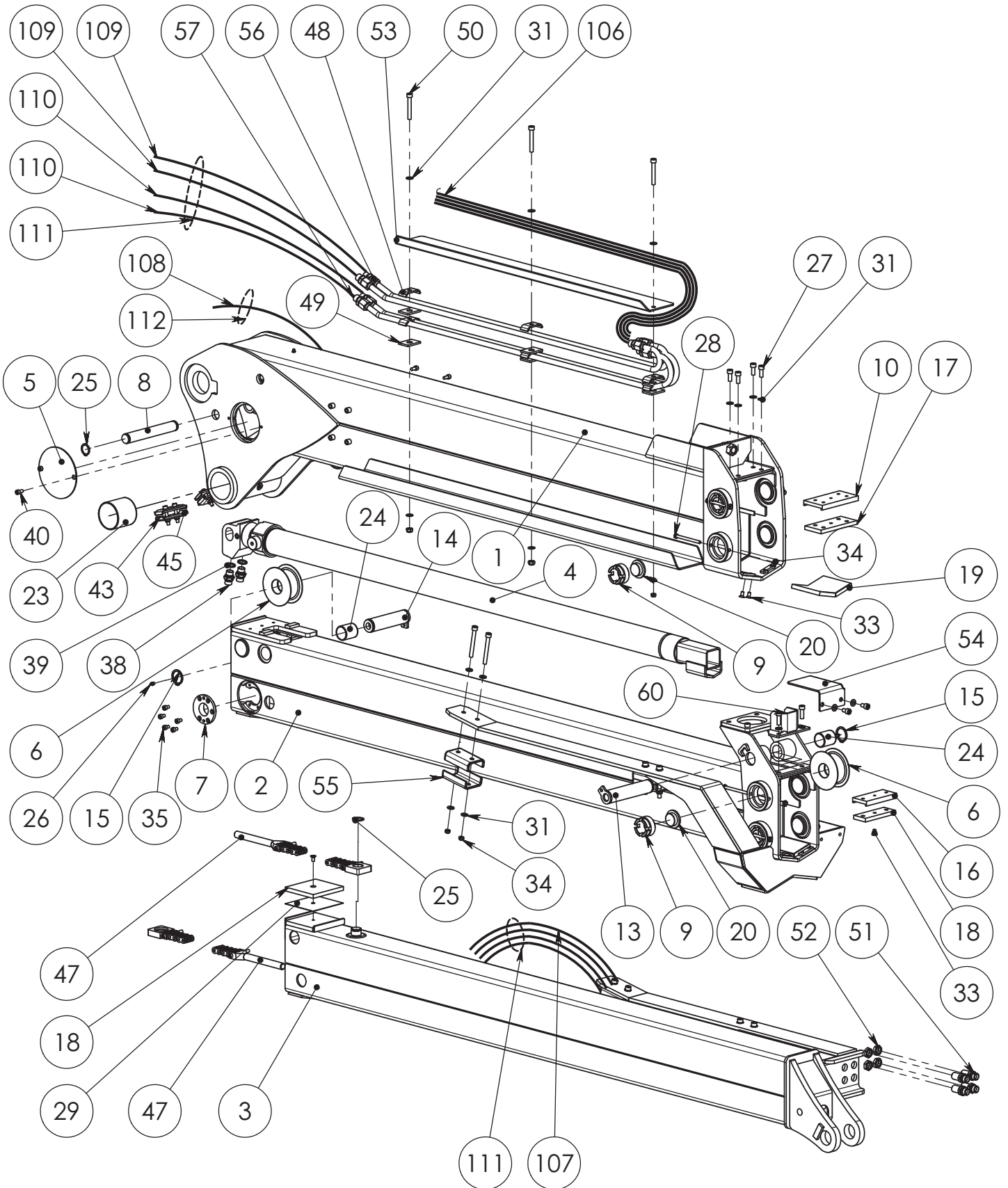
Pos	Item code	Title	Specification	Pc	Nto Weight
1	90023171	OUTER BOOM	L=2215	1	142.54
2	90017513	EXTENSION 1	L=2365	1	93.15
3	90017516	EXTENSION 2	L=2322	1	65.35
4	28581001	CYLINDER	70/40X1600	1	43.54
5	90012063	FLANGE		2	0.47
6	90015410	WHEEL	D=90	2	2.15
7	90010741	FLANGE		2	0.42
8	90021928	SLEEVE	45/31-26	2	0.02
9	90017084	AXLE	30-214	1	1.18
10	90016090	FASTENER		8	0.35
11	90014762	FASTENER		1	1.01
12	90010345	HOLDER		4	0.03
13	90014887	GLIDE PAD	120X155	1	0.24
14	90021933	AXLE	40-184 HITS	1	1.79
15	90021930	AXLE	40-156 HITS	1	1.52
16	3060100	SNAP RING	AS 40X2.5 ZN DIN 471	2	0
17	90014763	FASTENER		1	0.65
18	90014766	GLIDE PAD	12x70x155	1	0.12
19	90014767	GLIDE PAD	12X120X130	1	0.21
20	90014770	GLIDE PAD	50X130	1	0.07
21	90012374	GLIDE PAD	70X 120	4	0.1
22	90011001	GLIDE PAD	D=55-19/7	16	0.03
23	90017085	PLATE	119X155	1	0.13
24	90015124	PLATE	80 X 155	1	0.09
25	3100187	BUSHING	WB 802 8080	2	0.41
26	3100188	BUSHING	WB 802 4050	2	0.1
27	3060092	SNAP RING	AS 30X2 ZN DIN 471	4	0
28	3050003	GREASE NIPPLE	M8X1,25 DIN 71412	5	0
29	3010685	ALLEN SCREW	M10X25 8.8 ZN DIN 912	6	0
30	3010447	HEW SCREW	M8X100 8.8 ZN DIN 931	8	0
31	90017020	WASHER	1X119X130	1	0.12
32	90015142	PLATE	60 X 130	1	0.06
33	3030065	WASHER	M10 ZN DIN 125	6	0
34	3010190	ALLEN SCREW	M8X16 10.9 DIN 7991	14	0
35	3020001	NUT	M8 ZN DIN 985	12	0.01
36	3010598	ALLEN SCREW	M8X12 12.9 DIN 912	10	0

Item code	90023242	Revision	-
Title	OUTER BOOM	Date	18.06.2009
Specification	L=5750 RULLAOHJAIN		

Pos	Item code	Title	Specification	Pc	Nto Weight
37	3090019	CONNECTOR (STRAIGHT)	04000-08 R1/2"	2	0.1
38	3110042	USIT-SEAL	R-08 R 1/2"	2	0.01
39	3010292	ALLEN SCREW	M8X16 8.8 ZN DIN 912	4	0
40	90016092	CHAIN	6X6	2	1.35
41	90017520	NUT	M20-30	2	0.09
42	3020009	NUT	M20 ZN DIN 985	2	0.07
43	90013168	FASTENER	4X30-112	4	0.1
44	3010050	ALLEN SCREW	M8X50 8.8 ZN DIN 912	4	0
45	90013174	RUBBER		4	0.02
46	90019081	GUIDANCE	RULLAOHJAIN L=5750	1	420.39
100	3130737	HYDRAULIC HOSE	5201-08/HI-98C-08/5201-08/L=900	2	0.74
101	3130456	HYDRAULIC HOSE	5201-08/HI-98C-08/5201-08/L=1050	4	0.84
102	3130734	HOSE PROTECTIVE SPIRAL	YELLOW D=50	1	0.33
103	3130979	HOSE PROTECTIVE SPIRAL	D=32	1	0.18

90019205

SIIRTOPUOMI



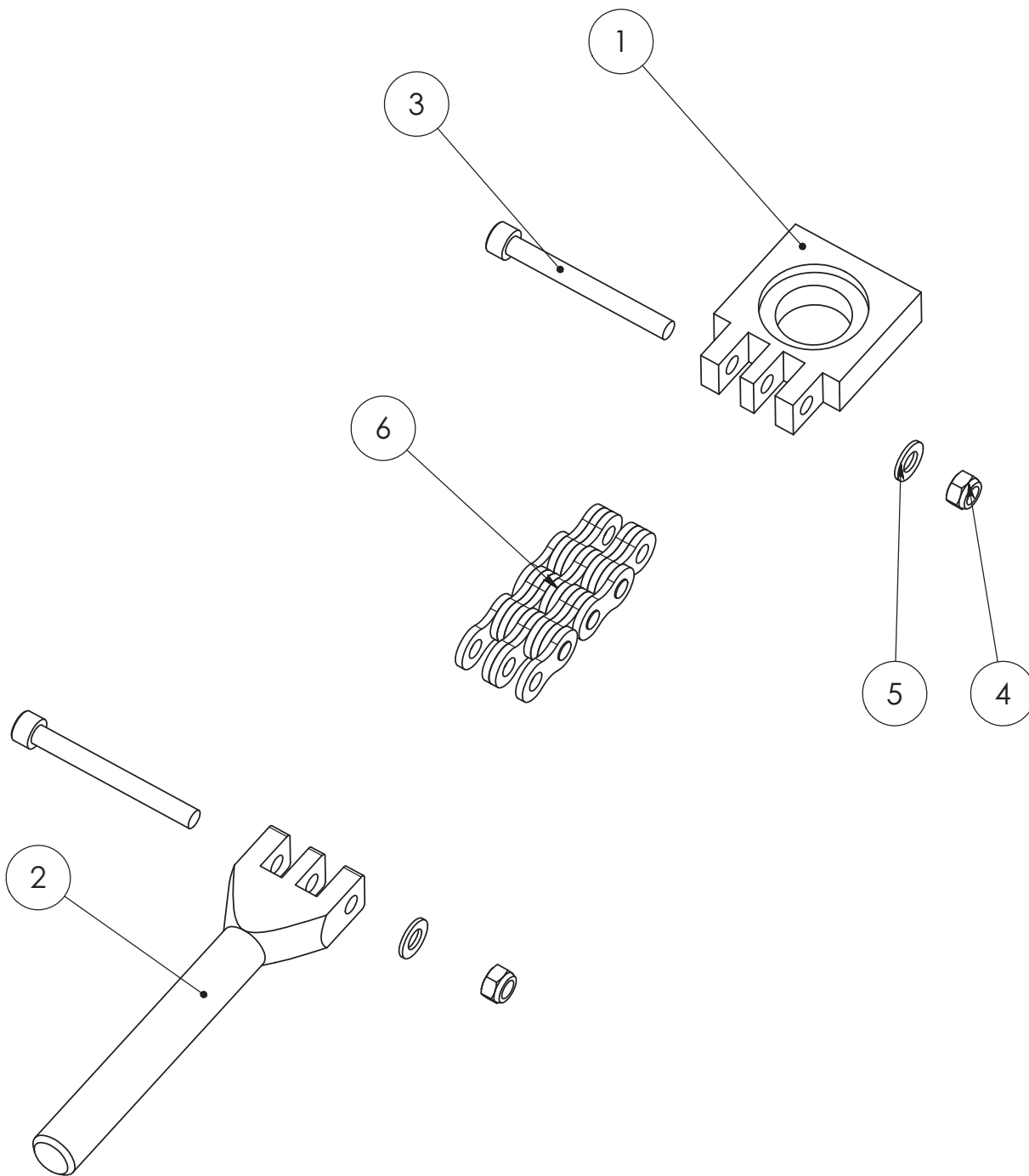
Item code	90019205	Revision	A
Title	OUTER BOOM	Date	27.09.2010
Specification	L=5750 SIVUOHJAIMILLA		

Pos	Item code	Title	Specification	Pc	Nto Weight
1	90025577	OUTER BOOM	L=2215	1	149.76
2	90019189	EXTENSION 1	L=2365	1	132.57
3	90019203	EXTENSION 2	L=2320	1	73.78
4	28581001	CYLINDER	70/40X1600	1	43.54
5	90012063	FLANGE		2	0.47
6	90015410	WHEEL	D=90	2	2.15
7	90010741	FLANGE		2	0.42
8	90017084	AXLE	30-214	1	1.18
9	90016090	FASTENER		8	0.35
10	90014762	FASTENER		1	1.01
11	90010345	HOLDER		4	0.03
12	90014887	GLIDE PAD	120X155	1	0.24
13	90021933	AXLE	40-184 HITS	1	1.79
14	90021930	AXLE	40-156 HITS	1	1.52
15	3060100	SNAP RING	AS 40X2.5 ZN DIN 471	2	0
16	90014763	FASTENER		1	0.65
17	90014766	GLIDE PAD	12x70x155	1	0.12
18	90014767	GLIDE PAD	12X120X130	1	0.21
19	90014770	GLIDE PAD	50X130	1	0.07
20	90012374	GLIDE PAD	70X 120	4	0.1
21	90011001	GLIDE PAD	D=55-19/7	16	0.03
22	90017085	PLATE	119X155	1	0.13
23	90015124	PLATE	80 X 155	1	0.09
24	3100187	BUSHING	WB 802 8080	2	0.41
25	3100188	BUSHING	WB 802 4050	2	0.1
26	3060092	SNAP RING	AS 30X2 ZN DIN 471	4	0
27	3050003	GREASE NIPPLE	M8X1,25 DIN 71412	5	0
28	3010685	ALLEN SCREW	M10X25 8.8 ZN DIN 912	4	0
29	3010447	HEW SCREW	M8X100 8.8 ZN DIN 931	8	0
30	90017020	WASHER	1X119X130	1	0.12
31	90015142	PLATE	60 X 130	1	0.06
32	3030065	WASHER	M10 ZN DIN 125	34	0
33	3010248	ALLEN SCREW	M10X30 8.8 ZN DIN 912	4	0
34	3010190	ALLEN SCREW	M8X16 10.9 DIN 7991	14	0
35	3020001	NUT	M8 ZN DIN 985	21	0.01
36	3010598	ALLEN SCREW	M8X12 12.9 DIN 912	10	0

Item code	90019205	Revision	A
Title	OUTER BOOM	Date	27.09.2010
Specification	L=5750 SIVUOHJAIMILLA		

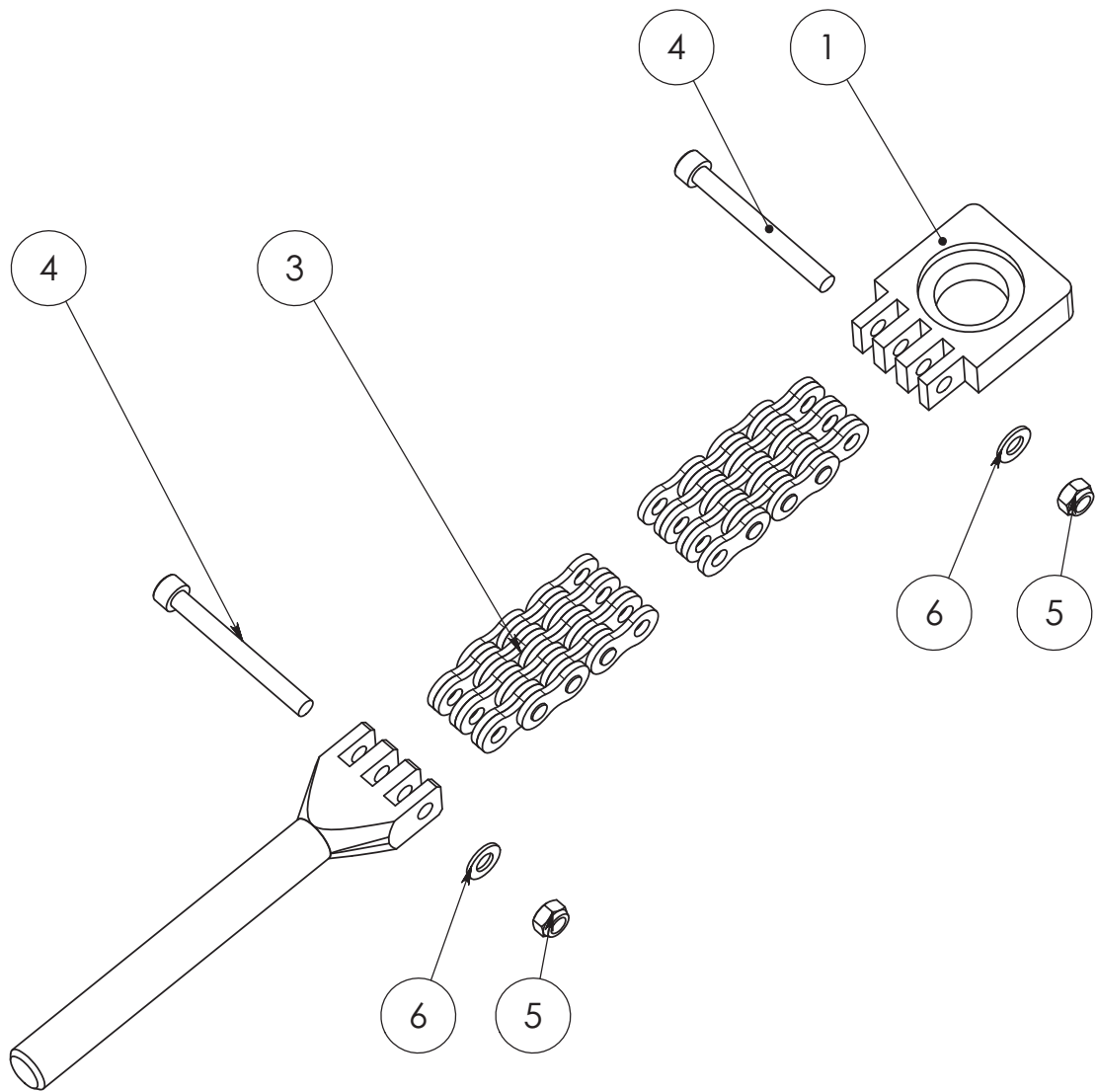
Pos	Item code	Title	Specification	Pc	Nto Weight
37	90020291	GUIDANCE		1	0.31
38	3020004	NUT	M10 ZN DIN 985	6	0.01
39	3090019	CONNECTOR (STRAIGHT)	04000-08 R1/2"	2	0.1
40	3110042	USIT-SEAL	R-08 R 1/2"	2	0.01
41	3010292	ALLEN SCREW	M8X16 8.8 ZN DIN 912	4	0
42	90017520	NUT	M20-30	2	0.09
43	3020009	NUT	M20 ZN DIN 985	2	0.07
44	90013168	FASTENER	4X30-112	4	0.1
45	3010050	ALLEN SCREW	M8X50 8.8 ZN DIN 912	4	0
46	90013174	RUBBER		4	0.02
47	90021928	SLEEVE	45/31-26	2	0.02
48	90016092	CHAIN	6X6	2	1.35
49	90010442	FASTENER	LT4X30-72	6	0.07
50	90010443	RUBBER	5X55-40	6	0.01
51	3010274	ALLEN SCREW	M10X70 8.8 ZN DIN 912	3	0
52	3090297	CONNECTOR (STRAIGHT)	04000-08 EP	4	0.12
53	3090300	NUT		4	0.02
54	90014974	FLUTE		1	4.96
55	90014975	COVER		1	0.75
56	90014283	FASTENER	LETKU	10	0.33
57	90018474	PIPE	16-1382	2	1.31
58	90018475	PIPE	16-1470	2	1.37
59	3010469	ALLEN SCREW	M10X90 8.8 ZN DIN 912	10	0
60	3010898	ALLEN SCREW	M10X16 8.8 ZN DIN 912	2	0
61	90026424	GUIDANCE		1	0.63
102	90018475	PIPE	16-1470	2	1.37
105	3300387	DAMPER	SE 85/26-22 (KOVUUS B)	2	1.5
106	3130757	HYDRAULIC HOSE	5751-08/HI-98-08/5701-08/L=2900	4	0
107	3130472	HYDRAULIC HOSE	5201-08/HI-98C-08/5201-08/L=2400	4	0
108	3130737	HYDRAULIC HOSE	5201-08/HI-98C-08/5201-08/L=900	2	0.74
109	3130356	HYDRAULIC HOSE	5201-08/HI-98C-08/5201-08/L=1500	2	0
110	3130357	HYDRAULIC HOSE	5201-08/HI-98C-08/5201-08/L=1300	2	
111	3130735	HOSE PROTECTIVE SPIRAL	YELLOW D=75 MM	2	
112	3130979	HOSE PROTECTIVE SPIRAL	D=32	2	0.18

90016091
KETJU



Item code	90016091	Revision	-
Title	CHAIN	Date	20.09.2013
Specification	4X6 KOK		

Pos	Item code	Title	Specification	Pc	Nfo Weight
1	90010140	CONNECTOR	KETJULITIN 4X6	1	0.39
2	90014905	TENSIONER		1	0.54
3	3010545	ALLEN SCREW	M8X75 12.9 DIN 912	2	0
4	3020001	NUT	M8 ZN DIN 985	2	0.01
5	3030025	WASHER	M8 ZN DIN 126	2	0
6	90019171	CHAIN	LH1246 L=1962	1	0.32

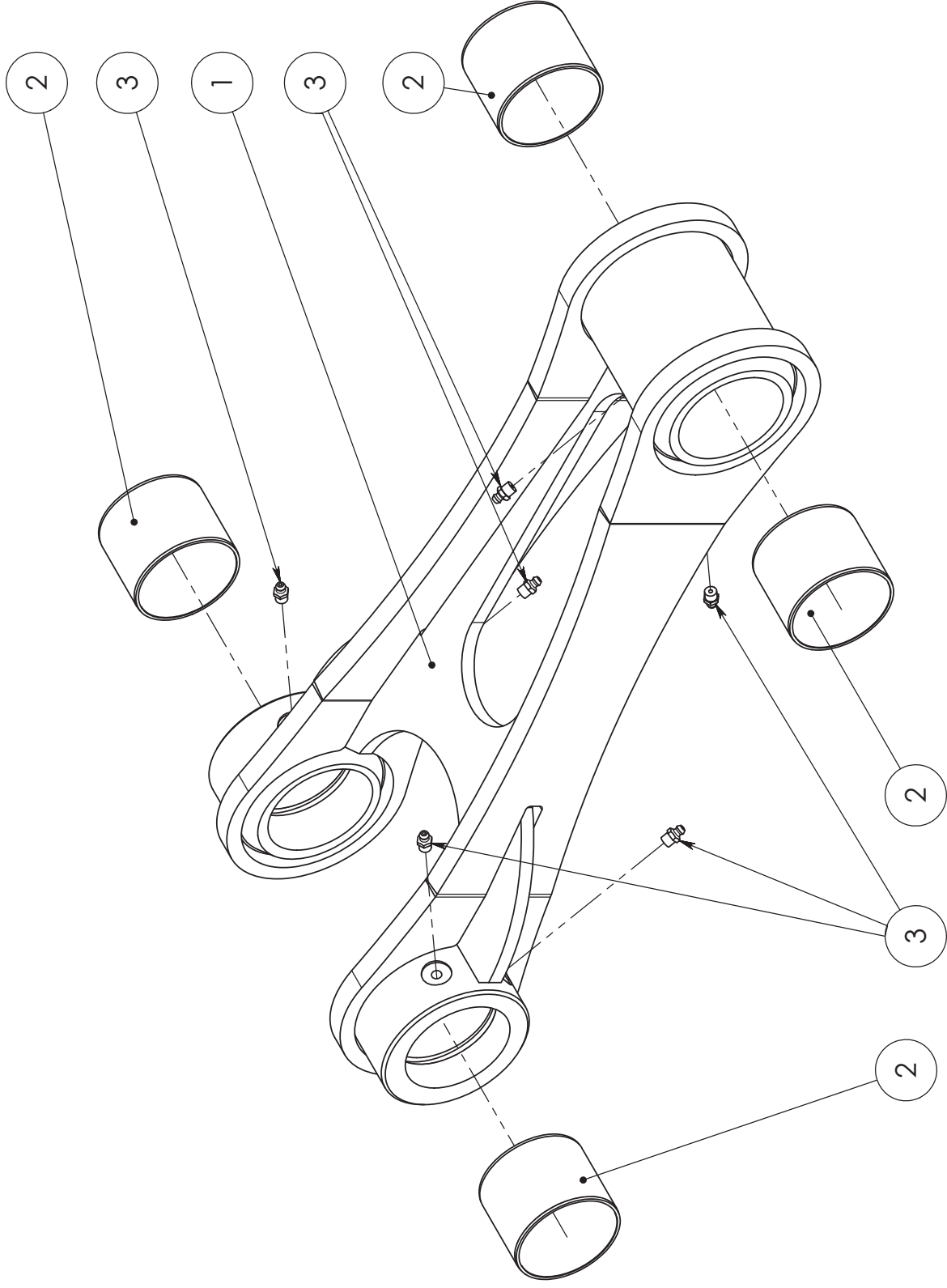


Item code	90016092	Revision	-
Title	CHAIN	Date	07.06.2011
Specification	6X6		

Pos	Item code	Title	Specification	Pc	Nto Weight
1	90015407	CONNECTOR	6X6	1	0.39
2	90015408	TENSIONER	6X6	1	0.62
3	90015921	CHAIN	LH1266 L=1962	1	0.32
4	3010545	ALLEN SCREW	M8X75 12.9 DIN 912	2	0
5	3020001	NUT	M8 ZN DIN 985	2	0.01
6	3030025	WASHER	M8 ZN DIN 126	2	0

90016039 TANKO

VARAOSAT \ RESERVDELAR \ SPARE PARTS \ ERSATZTEIL

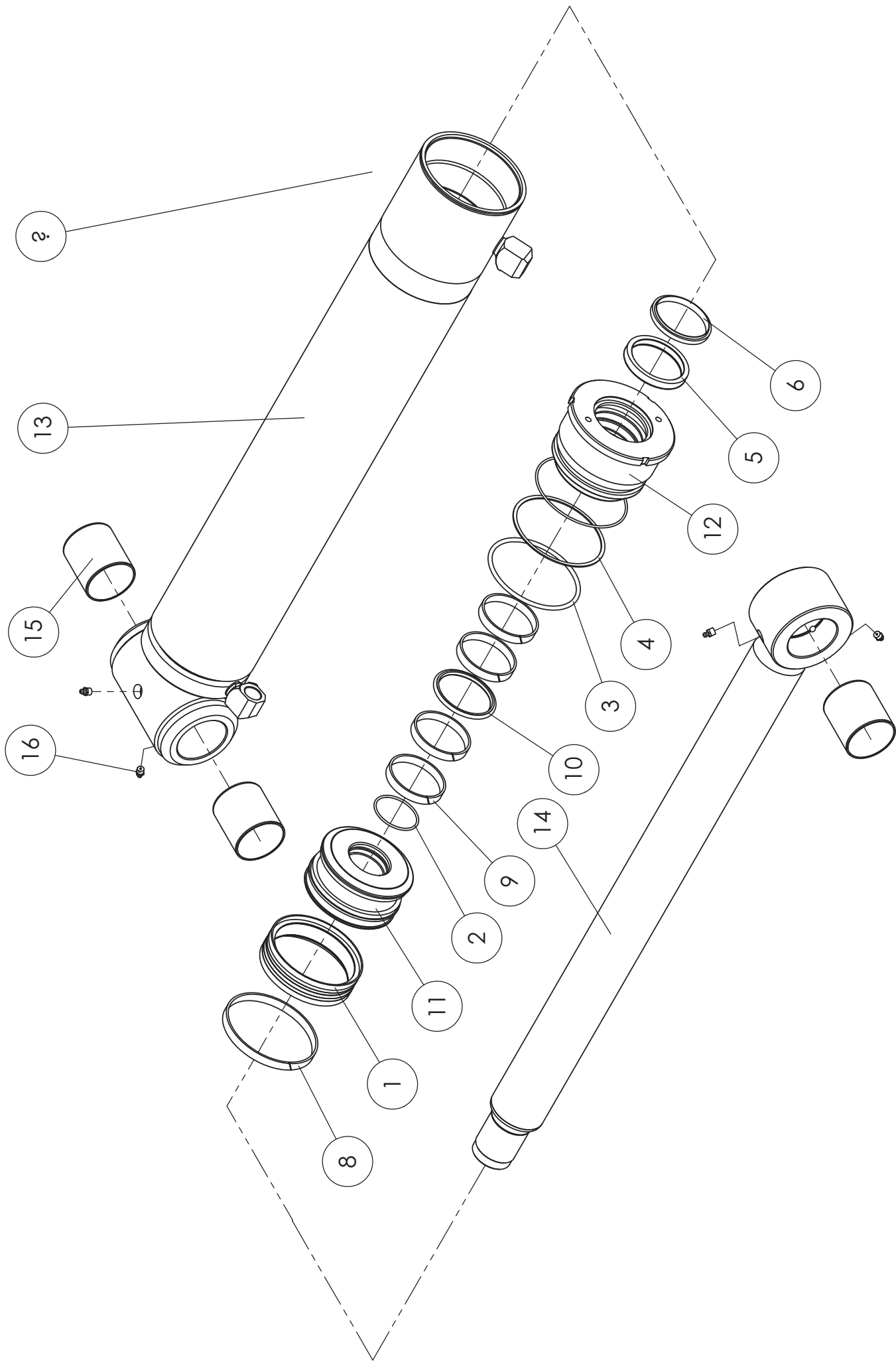




SPARE PART LIST

Item code	90016039	Revision	-
Title	TANKO	Date	10.06.2008
Specification			

Pos	Item code	Title	Specification	Dimensions	Pc	Amount	Unit	Ntto Weight
1	90016034	TANKO LÄNK LINK GELENK	HITS+KON		1			20.51
2	3100185	LAAKERI LAGER BEARING LAGER	WB 802 7060		4			0.27
3	3050003	RASVANIPPA SMÖRJNIPPEL GREASE NIPPLE SCHMIERNIPPEL	M 8 x 1,25 DIN 71412		6			0



28598001 SYLINTERI

VARAOSAT \ RESERVDELAR \ SPARE PARTS \ ERSATZTEIL



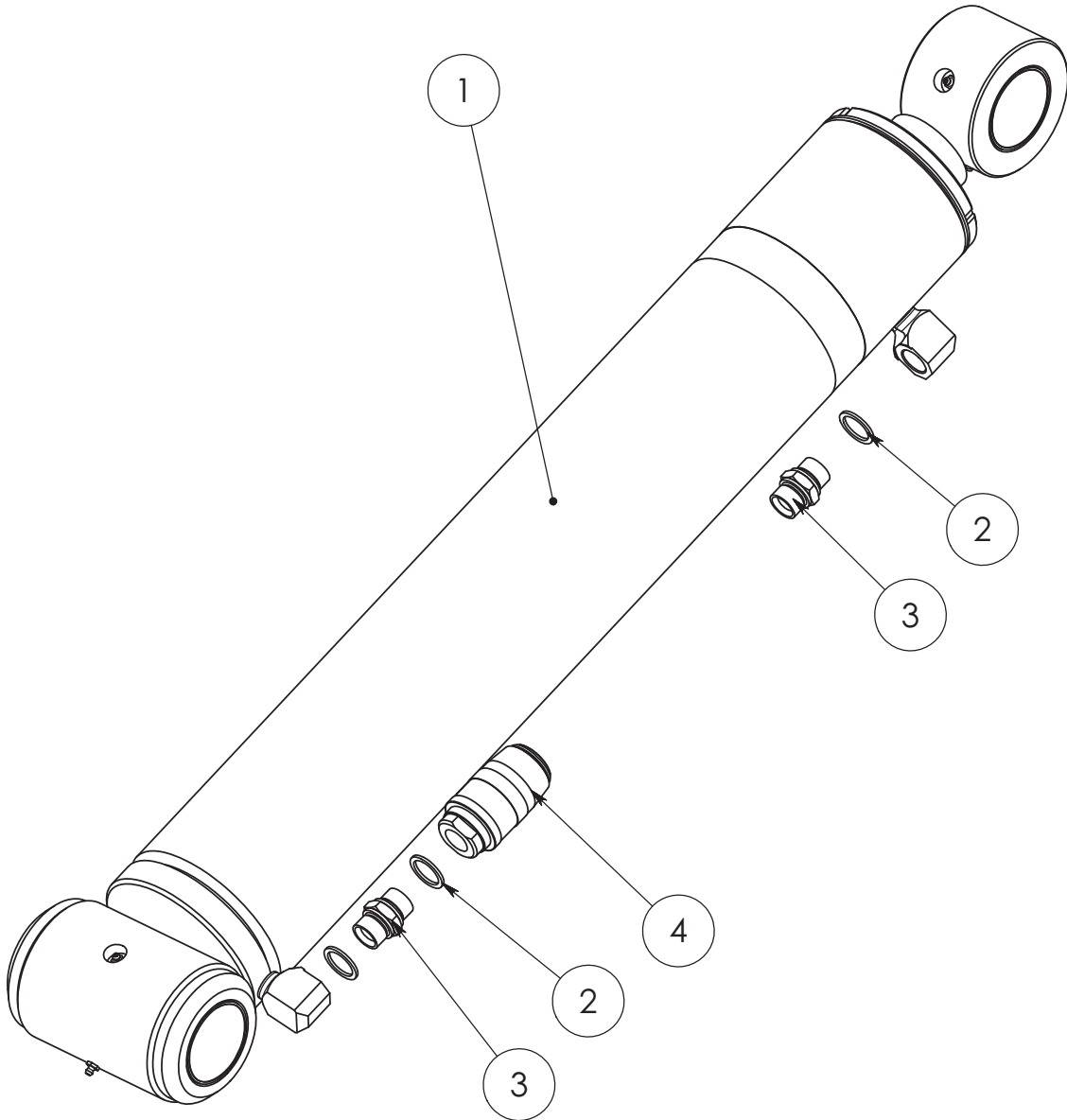
SPARE PART LIST

Item code	28598001	Revision	-
Title	CYLINDER	Date	29.10.2007
Specification	140/80X765		

Pos	Item code	Title	Specification	Pc	Nto Weight
1	3110249	PISTON SEAL	140 123/20X40	1	0.78
2	3110250	O-RING	62.2X3 90 SHORE	1	0.01
3	3110201	O-RING	129.3X5.7 70 SHORE	1	0.08
4	3110202	SUPPORTING RING	140/130X1.7 PU	1	0
5	3110251	ROD SEAL	NI 300 80/95X12	1	0.16
6	3110111	WIPER SEAL	GA 80/90X7/10	1	0.08
7	3110494	O-RING	134.5X3 90 SHORE	1	0.02
8	3110687	PISTON GUIDE	E/PWR 140/134X13	1	0.13
9	3110788	GUIDANCE	I/PWR 80/86X13	4	0.08
10	3110880	ROD SEAL	OMS-MR 80/95.1X6	1	0.08
11	28317201	PISTON	D=140 EUD	1	6.2
12	28317202	GUIDANCE	140/80	1	7.99
13	28598101	CYLINDER BARREL	140/80-765	1	50.88
14	28598204	PISTON ROD	D=80	1	5.37
15	3100264	BUSHING	WB 802 7080	3	0.36
16	3050020	GREASE NIPPLE	R 1/8" ZN	4	0.01
1-9	3110252	SEAL KIT	140/80	1	0

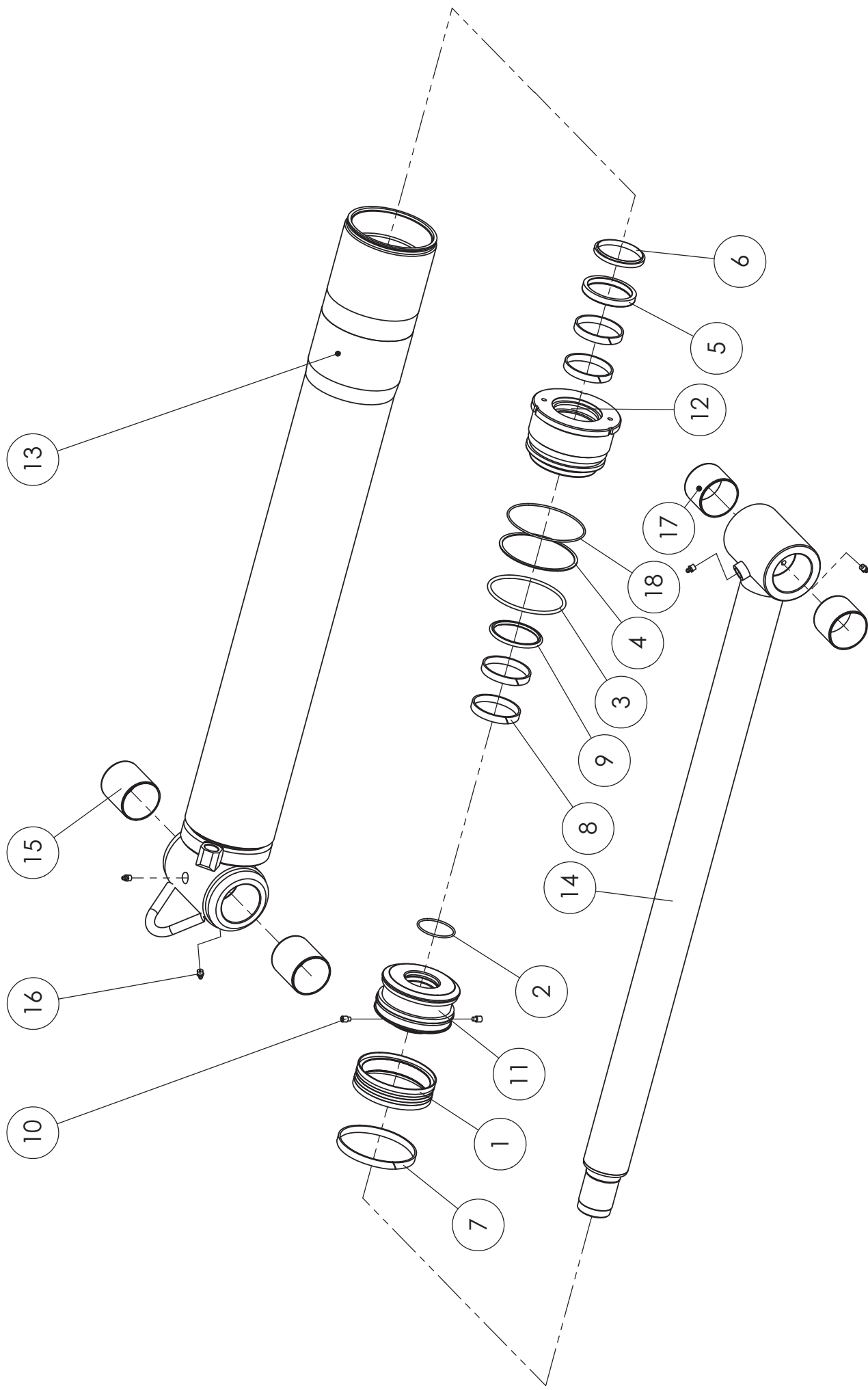
90017523

SYLINTERI



Item code	90017523	Revision	-
Title	CYLINDER	Date	20.09.2013
Specification	NOSTOSYLINTERI VAR		

Pos	Item code	Title	Specification	Pc	Nto Weight
1	28598001	CYLINDER	140/80X765	1	73.18
2	3110130	USIT-SEAL	R-12 R 3/4"	3	0.01
3	3090185	CONNECTOR (STRAIGHT)	04000-12	2	0.14
4	3120235	CHECK VALVE		1	1.24



28599001 SYLINTERI

VARAOSAT \ RESERVDELAR \ SPARE PARTS \ ERSATZTEIL



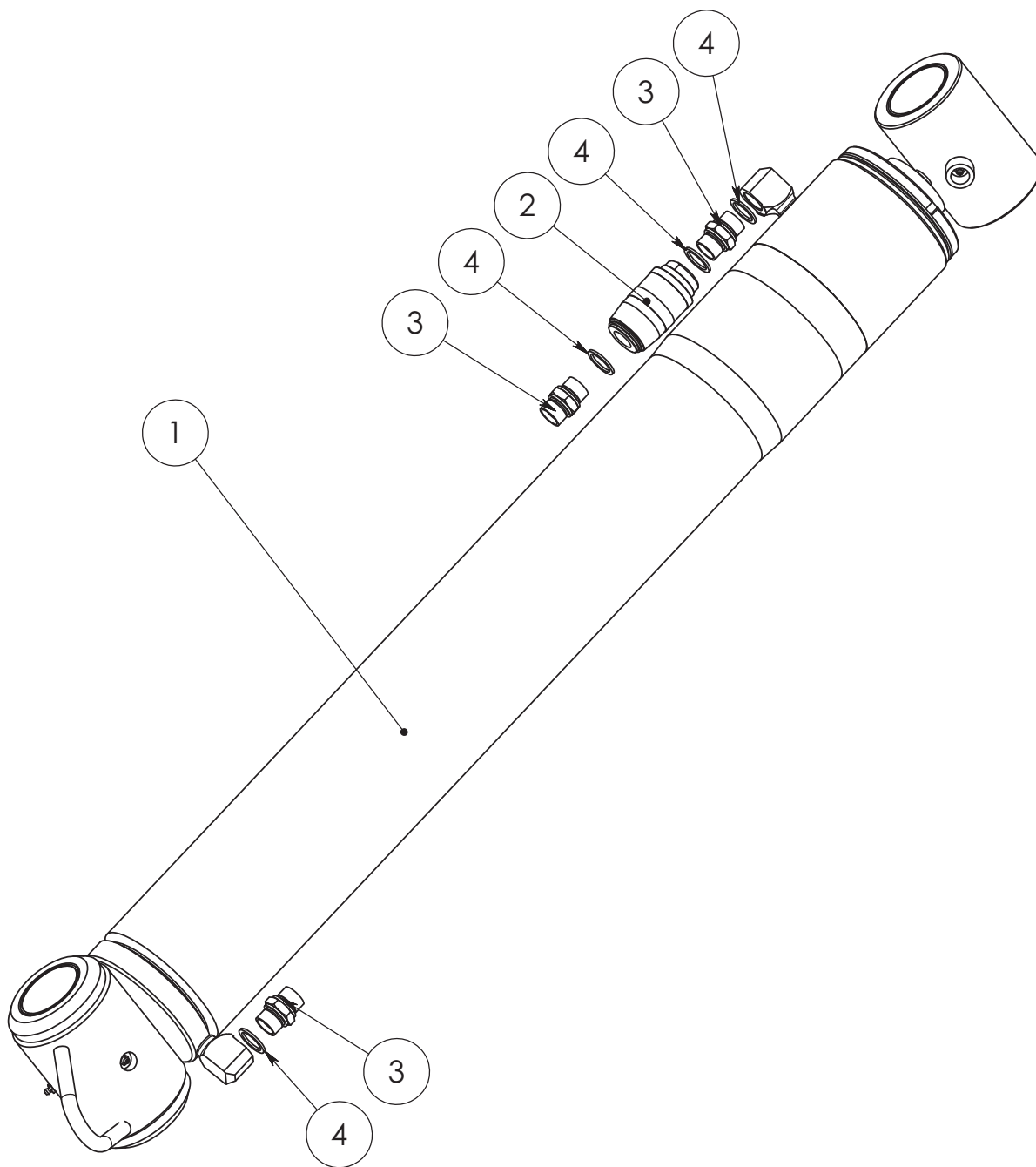
SPARE PART LIST

Item code	28599001	Revision	A
Title	CYLINDER	Date	13.11.2007
Specification	140/80X1020		

Pos	Item code	Title	Specification	Pc	Nto Weight
1	3110249	PISTON SEAL	140 123/20X40	1	0.78
2	3110250	O-RING	62.2X3 90 SHORE	1	0.01
3	3110201	O-RING	129.3X5.7 70 SHORE	1	0.08
4	3110202	SUPPORTING RING	140/130X1.7 PU	1	0
5	3110251	ROD SEAL	NI 300 80/95X12	1	0.16
6	3110111	WIPER SEAL	GA 80/90X7/10	1	0.08
7	3110687	PISTON GUIDE	E/PWR 140/134X13	1	0.13
8	3110788	GUIDANCE	I/PWR 80/86X13	4	0.08
9	3110880	ROD SEAL	OMS-MR 80/95.1X6	1	0.08
10	3010240	ALLEN SCREW	M10X16 8.8 ZN DIN 915	2	0
11	28317201	PISTON	D=140 EUD	1	6.2
12	28317202	GUIDANCE	140/80	1	7.99
13	28599101	CYLINDER BARREL	140/80-1020	1	63.44
14	28599204	PISTON ROD	D=80	1	7.19
15	3100264	BUSHING	WB 802 7080	2	0.36
16	3050020	GREASE NIPPLE	R 1/8" ZN	4	0.01
17	3100185	BUSHING	WB 802 7060	2	0.27
18	3110494	O-RING	134.5X3 90 SHORE	1	0.02
1-9	3110252	SEAL KIT	140/80	1	0

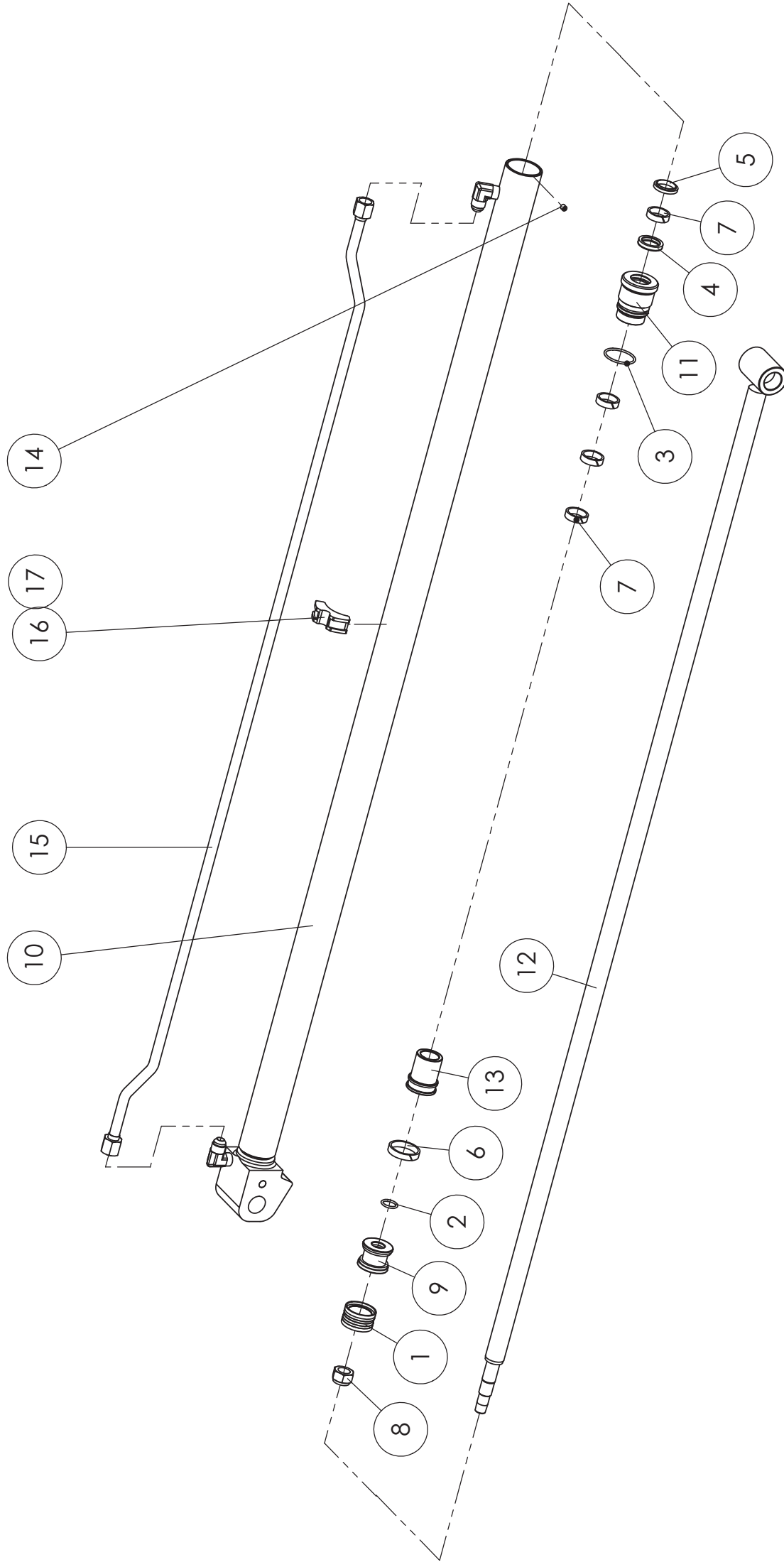
90017522

SYLINTERI



Item code	90017522	Revision	-
Title	CYLINDER	Date	20.09.2013
Specification	140/80-1020 VAR		

Pos	Item code	Title	Specification	Pc	Nto Weight
1	28599001	CYLINDER	140/80X1020	1	87.78
2	3120235	CHECK VALVE		1	1.24
3	3090185	CONNECTOR (STRAIGHT)	04000-12	3	0.14
4	3110130	USIT-SEAL	R-12 R 3/4"	4	0.01



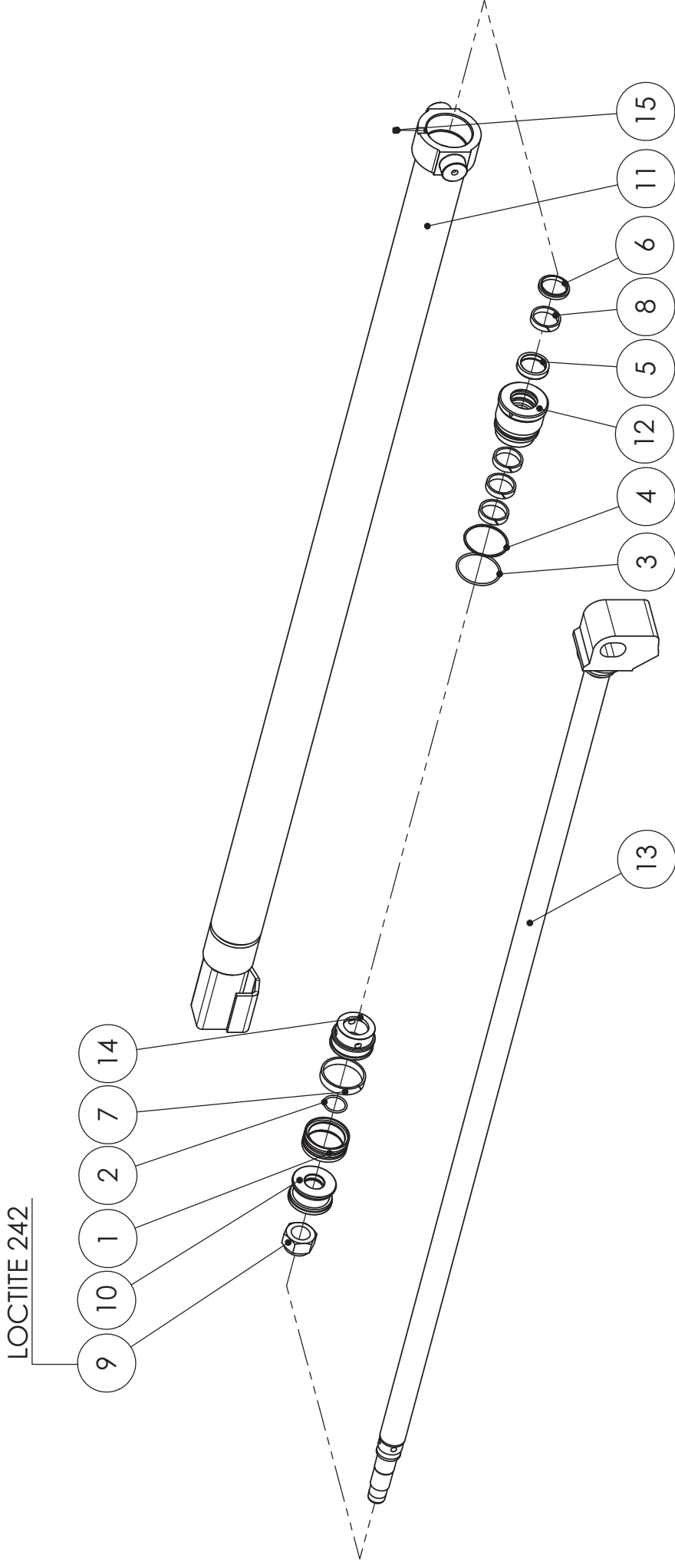
28586001 SYLINTERI



SPARE PART LIST

Item code	28586001	Revision	-
Title	CYLINDER	Date	30.10.2007
Specification	50/30X1600		

Pos	Item code	Title	Specification	Pc	Nto Weight
1	3110231	PISTON SEAL	TPS 50/38X20	1	0.14
2	3110261	O-RING	21.2X3 90 SHORE	1	0
3	3110669	O-RING	45X3 90 SHORE	1	0.01
4	3110030	ROD SEAL	T22 30/40X7.3	1	0.02
5	3110027	WIPER SEAL	PW 30	1	0.02
6	3110677	PISTON GUIDE	E/PWR 50/44X10	1	0.03
7	3110741	GUIDANCE	I/PWR 30/36X10	4	0.02
8	3020009	NUT	M20 ZN DIN 985	1	0.07
9	28395201	PISTON	50 (PDO)	1	0.31
10	28586101	CYLINDER BARREL	50/30-1600	1	3.84
11	28586202	GUIDANCE	50/30	1	0.61
12	28586204	PISTON ROD	50/30X1600	1	0.68
13	28586105	SLEEVE	ISKURAJOTTINHOLKKI	1	0.37
14	3010175	ALLEN SCREW	M8X10 ZN DIN 914	1	0
15	28586401	PIPE	16-1700	1	0.44
16	3090928	FASTENER		1	0.22
17	3090929	TENSIONER		1	
1-7	3110756	SEAL KIT	50/30 F2010	1	



28581001 SYLINTERI

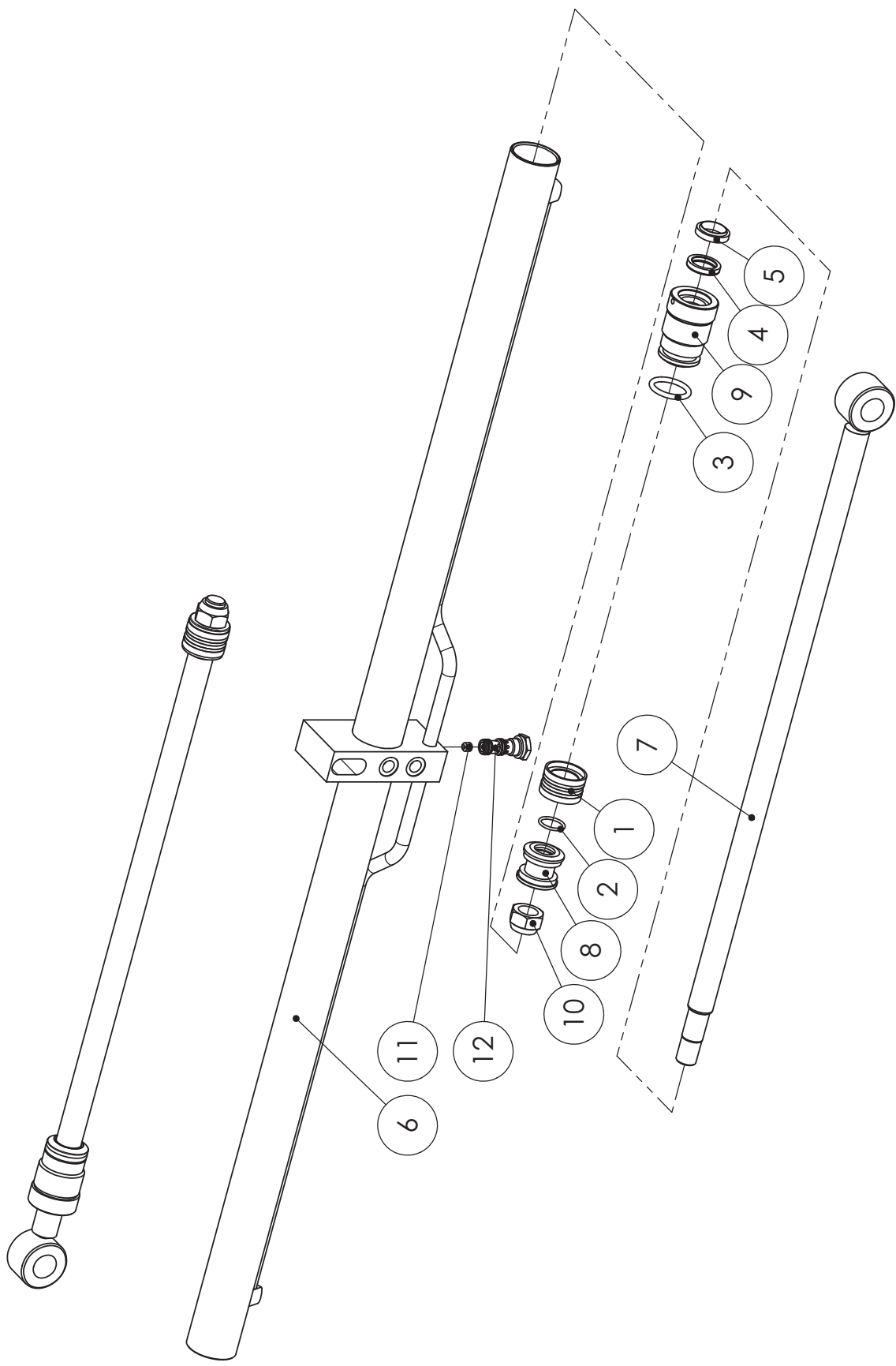
VARAOSAT \ RESERVDELAR \ SPARE PARTS \ ERSATZTEIL



SPARE PART LIST

Item code	28581001	Revision	A
Title	SYLINTERI	Date	15.06.2007
Specification	70/40X1600		

Pos	Item code	Title	Specification	Dimensions	Pc	Amount	Unit	Nto Weight
1	3110317	MÄNNÄNTIIVISTE KOLV TÄTNING PISTON SEAL KOLBENDICHTUNG	PDO 70/58X20		1			0.21
2	3110248	O-RENGAS O-RING O-RING O-RING	31.5X3 90 SHORE		1			0.01
3	3110009	O-RENGAS O-RING O-RING O-RING	64.5X3 90 SHORE		1			0.01
4	3110557	TUKIRENGAS STÖDRING SUPPORTING RING STÜTZRING	70/65X1.3 PU		1			0
5	3110010	VARRENTIIVISTE KOLVSTÄNGSTÄTNING ROD SEAL DICHTUNG FÜR KOLBENSTANGE	NI 300 40/50X10		1			0.05
6	3110011	LUOVUJUTIN AYSTRYKARE WIPER SEAL ABSTREIFER	PW 40		1			0.03
7	3110697	MÄNNÄNOHJAIN KOLV STYRNING PISTON GUIDE KOLBENFÜHRUNG	E/PWR 70/64X13		1			0.06
8	3110735	OHJAIN STYRNING GUIDANCE STEUERUNG	I/PWR 40/46X10		4			0.03
9	3020145	MUTTERI MUTTER NUT MUTTER	M30X2 ZN DIN 980 V		1			0.24
10	28349201	MÄNTÄ KOLV PISTON - KOLBEN	D=70 (PDO-TIIV.)	L=43	1			0.64
11	28581101	SYLINTERIPUTKI CYLINDERERRÖR CYLINDER BARREL ZYLINDERROHR	70/40 X 1600		1			20.95
12	28581202	OHJAIN STYRNING GUIDANCE STEUERUNG	70/40	L=72	1			1.38
13	28870204	MÄNNÄNVARSI KOLVSTÄNG PISTON ROD KOLBENSTANGE	40		1			18.83
14	28581105	HOLKKI HYLSA SLEEVE ACHSHALTER	ISKURAJOITIN L=42	L=44	1			0.52
15	3010175	KUUSIÖKOLORUUVI INSEKSKRUV ALLEN SCREW INNENSECHSKANTSCHRAUBE	M8X10 ZN DIN 914		1			0
1-8	3110736	TIIVISTESARJA TÄTNINGSSATS SEAL KIT DICHTUNGSSATZ	70/40		1			0.49



28864001 LEVITYSSYLINTERI



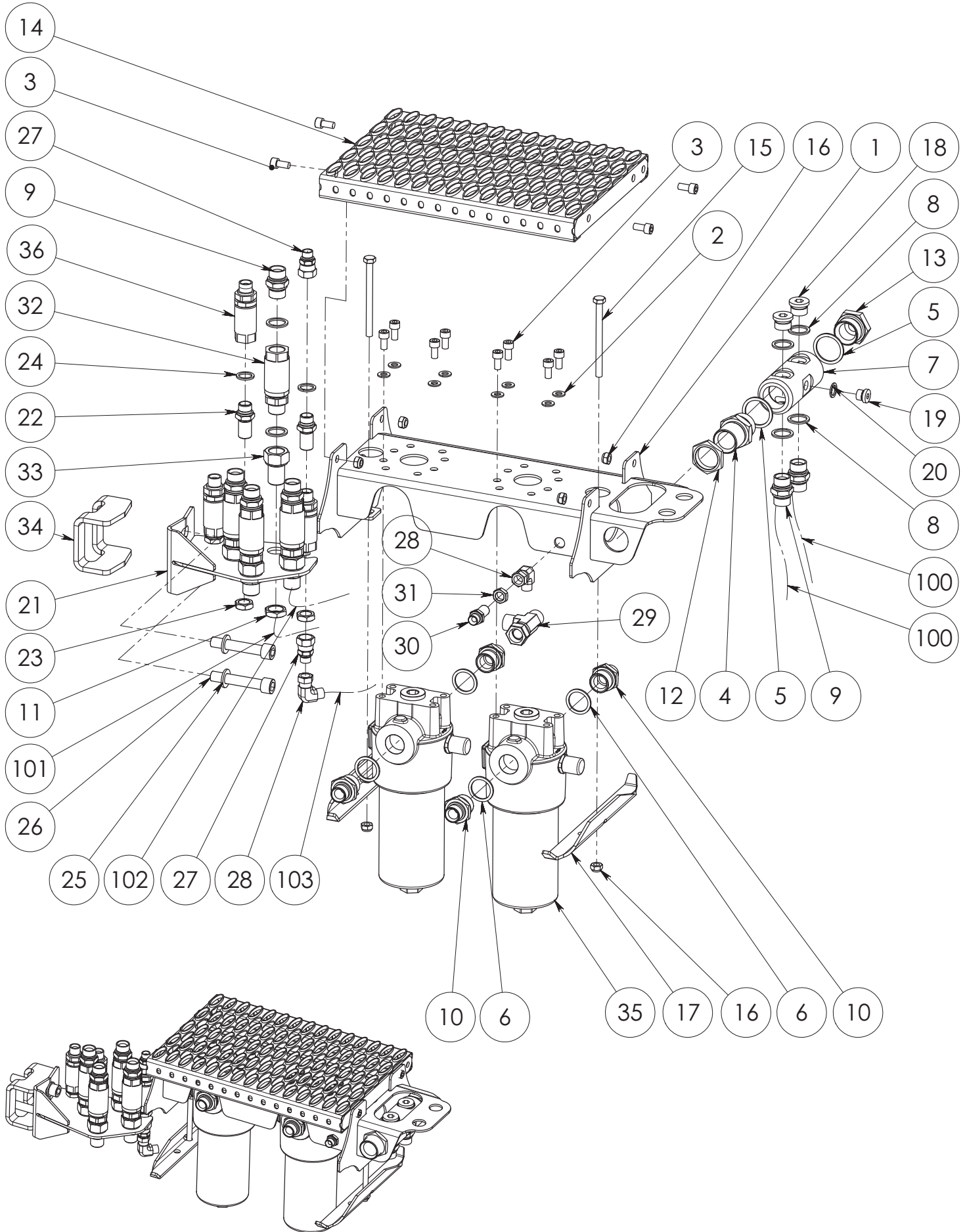
SPARE PART LIST

Item code	28864001	Revision	-
Title	LEVITYSSYLINTERI	Date	17.12.2012
Specification	50/30X2X650		

Pos	Item code	Title	Specification	Dimensions	Pc	Amount	Unit	Ntto Weight
1	3110013	MÄNNÄNTIIVISTE KOLV TÄTNIING PISTON SEAL KOLBENDICHTUNG	DAS 50/34X18		2			0.18
2	3110003	O-RENGAS O-RING O-RING O-RING	26.2X3 70 SHORE		2			0.01
3	3110288	O-RENGAS O-RING O-RING O-RING	39.2X5.7 90 SHORE		2			0.03
4	3110030	VARRENTIIVISTE KOLVSTÄNGSTÄTNIING ROD SEAL DICHTUNG FÜR KOLBENSTANGE	T22 30/40X7.3		2			0.02
5	3110313	LUOVUTIN AVSTRYKARE WIPER SEAL ABSTREIFER	GA 30/40X7/10		2			0.03
6	28864101	SYLINTERIPUTKI CYLINDER BARREL ZYLINDERROHR	50/30X2X650		1			14.3
7	28772204	MÄNNÄNVARSI KOLVSTÄNG PISTON ROD KOLBENSTANGE	50/30 X 2 X 650		2			5.2
8	28337201	MÄNTÄ KOLV PISTON KOLBEN	D=50 DBM	L=43	2			0.26
9	28337202	OHJAIN STYRNING GUIDANCE STEUERUNG	50/30	L=82	2			0.82
10	3020026	MUTTERI MUTTER NUT MUTTER	M24 ZN DIN 985		2			0.11
11	21510225	KURISTIN STRYP RESTRICTOR DROSSEL	M10X10/D=1.0		1			0
12	3120843	VENTTIILI VENTIL VALVE VENTIL			1			0.13
1-5	3110324	TIIVISTESARJA TÄTNIINGSSATS SEAL KIT DICHTUNGSSATZ	50/30		1			

90023061

SUODATIN



Item code	90023061	Revision	C
Title	FILTER	Date	25.03.2009
Specification	SUODATINTELINE		

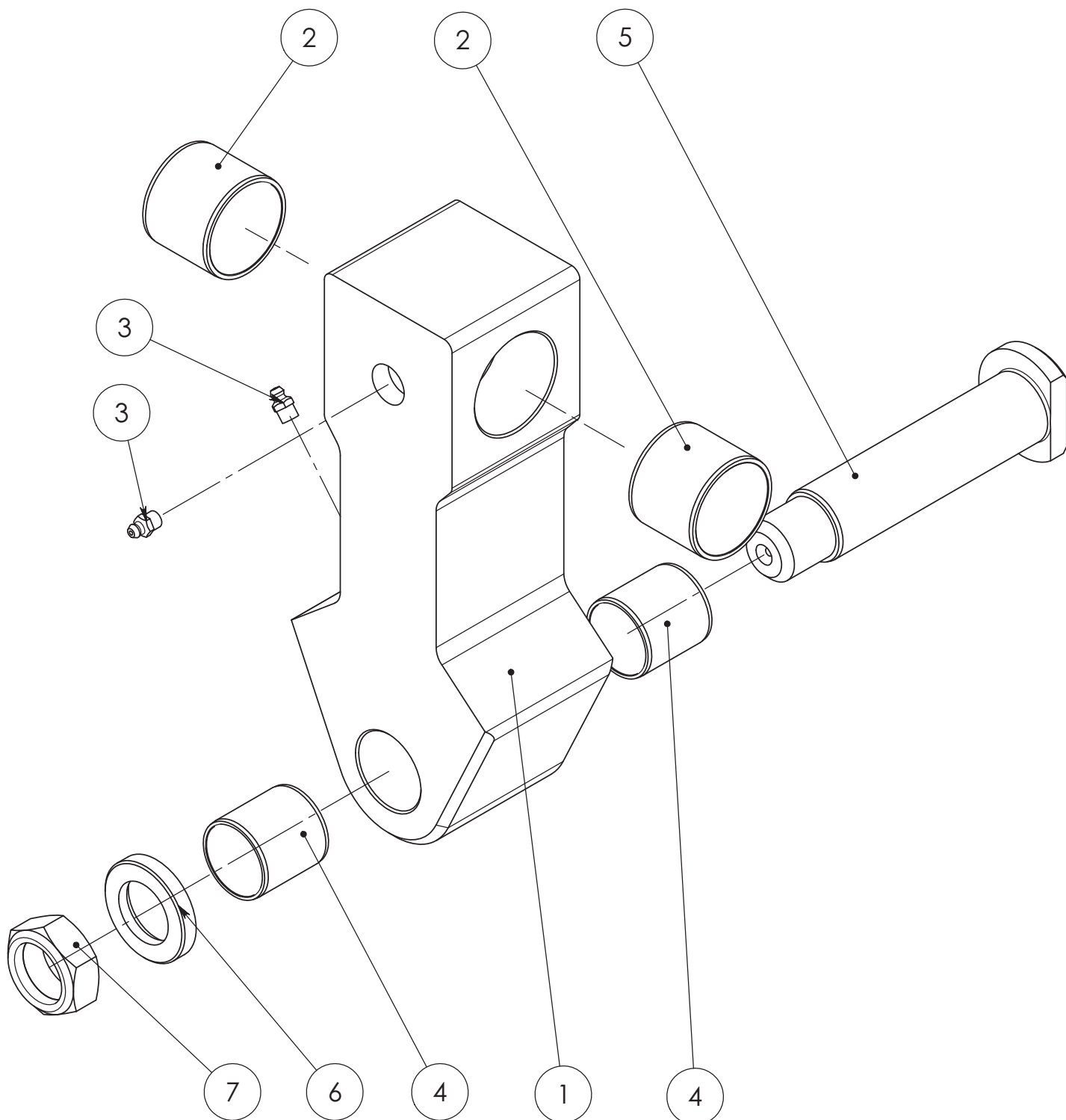
Pos	Item code	Title	Specification	Pc	Nto Weight
1	90022387	RACK	SUODATINTELINE	1	5.79
2	3030065	WASHER	M10 ZN DIN 125	8	0
3	3010192	SCREW	M10X20 8.8 ZN DIN 912	12	0
4	3090396	CONNECTOR	04000-20 EP	1	0.44
5	3110849	SEAL	R 1 1/4"	2	0.01
6	3110173	SEAL	R-16 R 1"	4	0.01
7	90021976	BLOCK		1	1.57
8	3110130	SEAL	R-12 R 3/4"	12	0.01
9	3090185	CONNECTOR	04000-12	6	0.14
10	3090364	CONNECTOR	04000-12-16	4	0.21
11	3090301	NUT		4	0.03
12	3090397	NUT		1	0.08
13	3090350	CONNECTOR (STRAIGHT)	04000-12-20	1	0.32
14	90021971	PLANE	HUOLTOTASO HITS	1	3.49
15	3010401	SCREW	M10X130 8.8 ZN DIN 931	2	0
16	3020004	NUT	M10 ZN DIN 985	6	0.01
17	90010239	FLAT BAR		2	0.58
18	3090209	PLUG		2	0.08
19	3090210	PLUG		1	0.03
20	3110040	SEAL	R-06 R 3/8"	1	0
21	90015532	PLATE	LÄPIVENTILEVY R 3/4" HITS	1	1.64
22	3090297	CONNECTOR	04000-08 EP	3	0.12
23	3090300	NUT		3	0.02
24	3110042	SEAL	R-08 R 1/2"	3	0.01
25	3030006	WASHER	M16/17 ZN DIN 125	2	0.01
26	3010588	SCREW	M16X90 8.8 ZN DIN 912	2	0
27	3090200	CONNECTOR	04010-06-08	2	0.09
28	3090202	CONNECTOR	04510-06	2	0.15
29	3091123	CONNECTOR	04880-12	1	0.34
30	3090296	CONNECTOR	04000-06 EP	1	0.07
31	3090299	NUT		1	0.01
32	3090931	CONNECTOR	INDEXATOR 3/4" 5001291	4	0.7
33	90023334	CONNECTOR (STRAIGHT)		4	0.19
34	90023872	STAND		1	0.86
35	3091286	PRESSURE FILTER		2	24.96
36	3090930	CONNECTOR	INDEXATOR 1/2" 5001285	3	0.53

Item code	90023061	Revision	C
Title	FILTER	Date	25.03.2009
Specification	SUODATINTELINE		

Pos	Item code	Title	Specification	Pc	Nto Weight
100	3130465	HOSE	5751-12/HI-78-12/5701-12/L=900	2	
101	3132643	HYDRAULIC HOSE	5651-12/HI33-12/5601-12 L=750 TEX	1	
102	3132741	HYDRAULIC HOSE	5651-12/HI33-12/5601-12 L=650 TEX	1	
103	3132396S	HYDRAULIC HOSE	5701-06/HI98-06/5701-06/L=710 TEX	1	

90012142

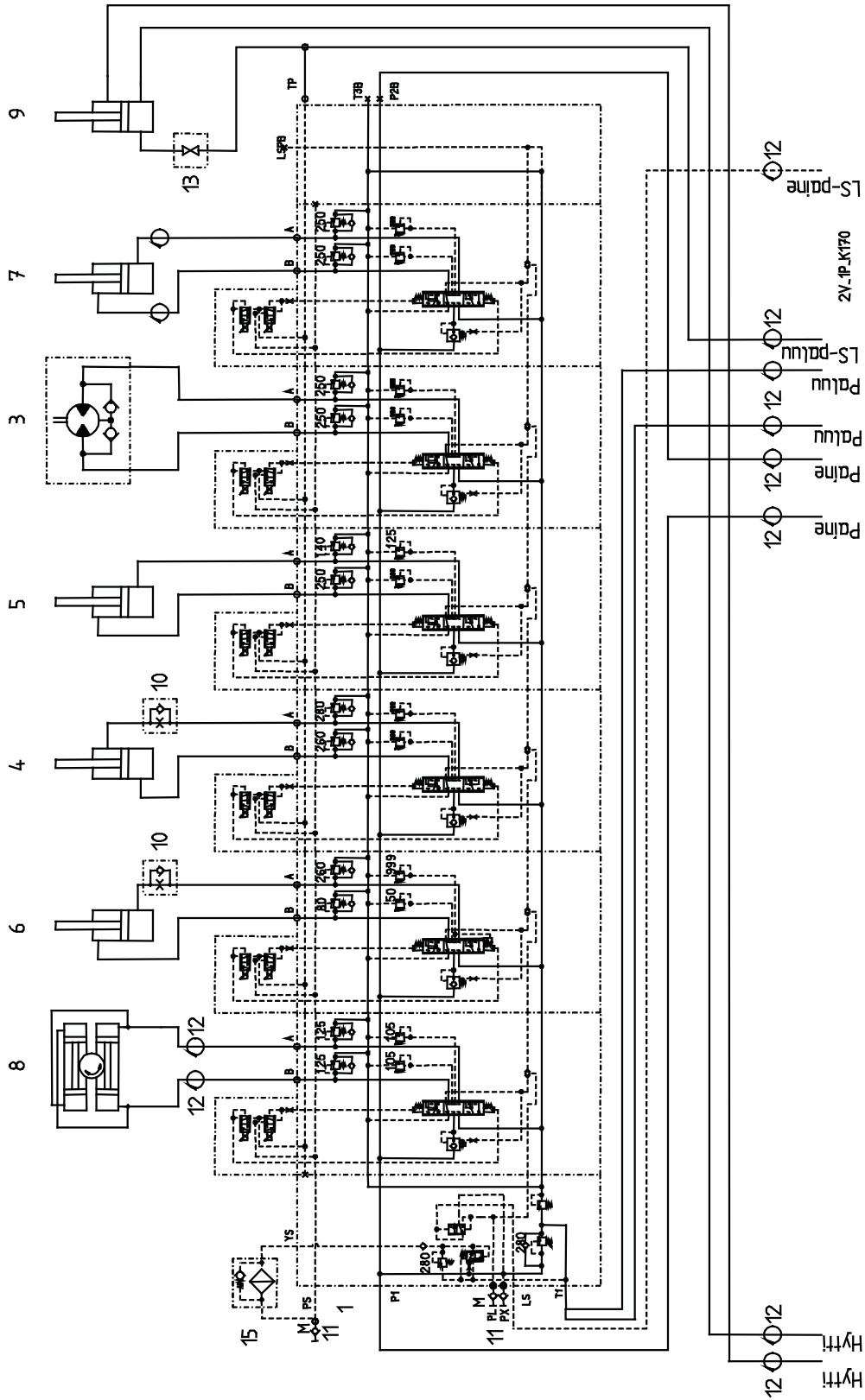
RIIPUKE



Item code	90012142	Revision	-
Title	LINK	Date	12.04.2005
Specification	80/45-80/35 SIS. ALAPÄÄNAKS., LAAK., RASVANIPAT		

Pos	Item code	Title	Specification	Pc	Nto Weight
1	90011322	LINK	RUNKO	1	11.79
2	3100215	BUSHING	WB 802 4540	2	0.12
3	3050003	GREASE NIPPLE	M8X1,25 DIN 71412	2	0
4	3100196	BUSHING	WB 802 3540	2	0.07
5	90013110	AXLE	35-172	1	1.32
6	90013659	WASHER	50/31-8	1	0.07
7	3020144	NUT	M30X1.5 ZN NYLOC	1	0.1

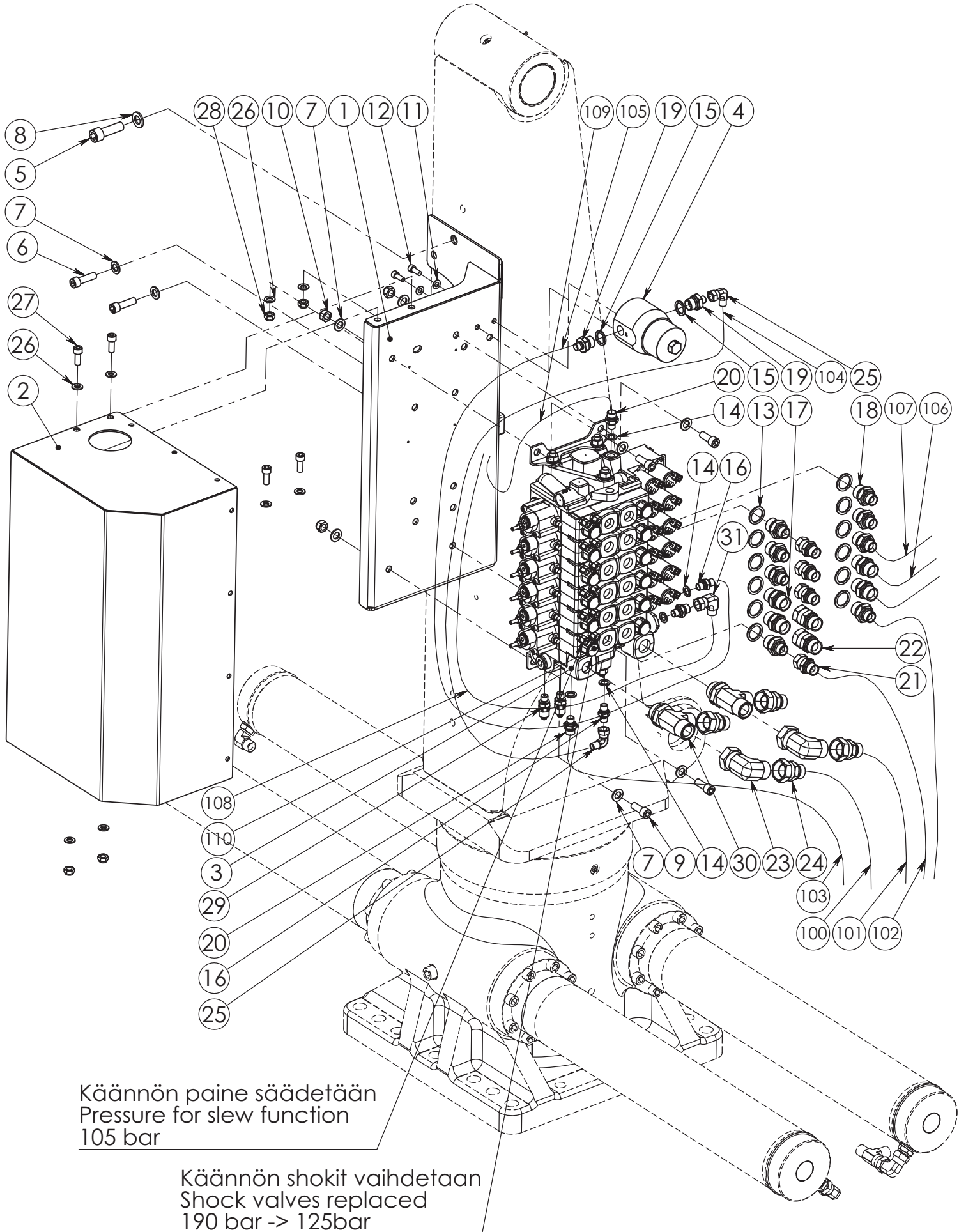
Hydraulikaavio \ Hydraulschema \ Hydraulic scheme \ Hydraulikschema
K170/6LS+2V+1P+IQAN



Hytti \ Hytt \ Cabin \ Kabine
 Paluu \ Return \ Retur \ Rückfahren
 Paine \ Tryck \ Pressure \ Druck

90022795

VARUSTELU



Item code	90022795	Revision	-
Title	ASSEMBLY	Date	26.11.2009
Specification	VENTTIILIVARUSTELU K170LS/6		

Pos	Item code	Title	Specification	Pc	Nto Weight
1	90019831	FASTENER	K170LS, L90LS, PV90, PVG32	1	826.72
2	90017829	COVER		1	11.26
3	3120929	DIRECTIONAL CONTROL VALVE		1	0
4	3091253	FILTER		1	0
5	3010282	SCREW	M16X50 8.8 ZN DIN 912	1	0.01
6	3010287	SCREW	M12X40 8.8 ZN DIN 912	2	0.01
7	3030047	WASHER	M12/13 ZN DIN 126	10	100.59
8	3030006	WASHER	M16/17 ZN DIN 125	1	4.92
9	3010246	SCREW	M12X30 8.8 ZN DIN 912	4	0
10	3020005	NUT	M12 ZN DIN 985	4	0.02
11	3030025	WASHER	M8 ZN DIN 126	2	0
12	3010253	SCREW	M8X20 8.8 ZN DIN 912	2	0
13	3110130	SEAL	R-12 R 3/4"	12	12.13
14	3110041	SEAL	R-04 R 1/4"	5	0.01
15	3110042	SEAL	R-08 R 1/2"	2	0
16	3090158	CONNECTOR	04000-04	2	0.01
17	3090185	CONNECTOR	04000-12	4	0.04
18	3090053	CONNECTOR	04000-08-12	8	0.14
19	3090174	CONNECTOR	04000-04-08	2	0.14
20	3090052	CONNECTOR	04000-04-06	3	0.08
21	3090199	CONNECTOR	04010-08-08	4	0.05
22	3090216	CONNECTOR	04010-12-12	2	0.12
23	3090569	CONNECTOR	04510-16	2	0.19
24	3090776	CONNECTOR	26-04010-12-16	4	0.74
25	3090176	CONNECTOR	04510-04	2	0.21
26	3030065	WASHER	M10 ZN DIN 125	8	0.07
27	3010685	SCREW	M10X25 8.8 ZN DIN 912	4	0
28	3020004	NUT	M10 ZN DIN 985	4	0
29	3090182	CONNECTOR	EMA3 R 1/4" DIN 2353	2	0
30	3091264	CONNECTOR	26-04470-16	2	0.08
31	3090202	CONNECTOR	04510-06	1	0.61
100	3132783	HYDRAULIC HOSE	5601-12/HI-33-12/5601-12/L=2000 / SUOJASUKKA	1	
101	3130664		5701-12/HI-98-12/5701-12/L=2000	1	
102	3130489S	HYDRAULIC HOSE	5251-08/HI-98C-08/5201-08/L=2200 TEX	2	
103	3132740	HYDRAULIC HOSE	5601-06/HI-33-06/5651-06/L=2200 TEX	1	
104	3132316	HOSE	5701-04/461LT-04/5751-04/L=1250	1	

Item code	90022795	Revision	-
Title	ASSEMBLY	Date	26.11.2009
Specification	VENTTIILIVARUSTELU K170LS/6		

Pos	Item code	Title	Specification	Pc	Nto Weight
105	3132039	HOSE	5751-04/HI-98-04/5701-04/L=1050	1	
106	3131284	HOSE	5701-12/HI-33-12/5751-12/L=1400	4	
107	3130531	HOSE	5251-08/HI-98C-08/5201-08/L=1350	6	
108	3130924	HOSE	5701-06/HI-98C-06/5751-06/L=1350	1	
109	3130314		5751-06/HI-98-06/5701-06/L=700	1	
110	3120534	CARTRIDGE		2	